



380 MHz LC Band Pass Filter

Part Number: AE380B11174



Electrical Specifications

Center Frequency: 380 MHz

2 dB Bandwidth: 120 MHz

Passband: 320-440 MHz

Insertion Loss: 2.5 dB Max

Rejection: >60 dBc @ 160-220 MHz

>35 dBc @ 480-640 MHz

>70 dBc @ 640-880 MHz

Mechanical

Connector Type: SMA (F)

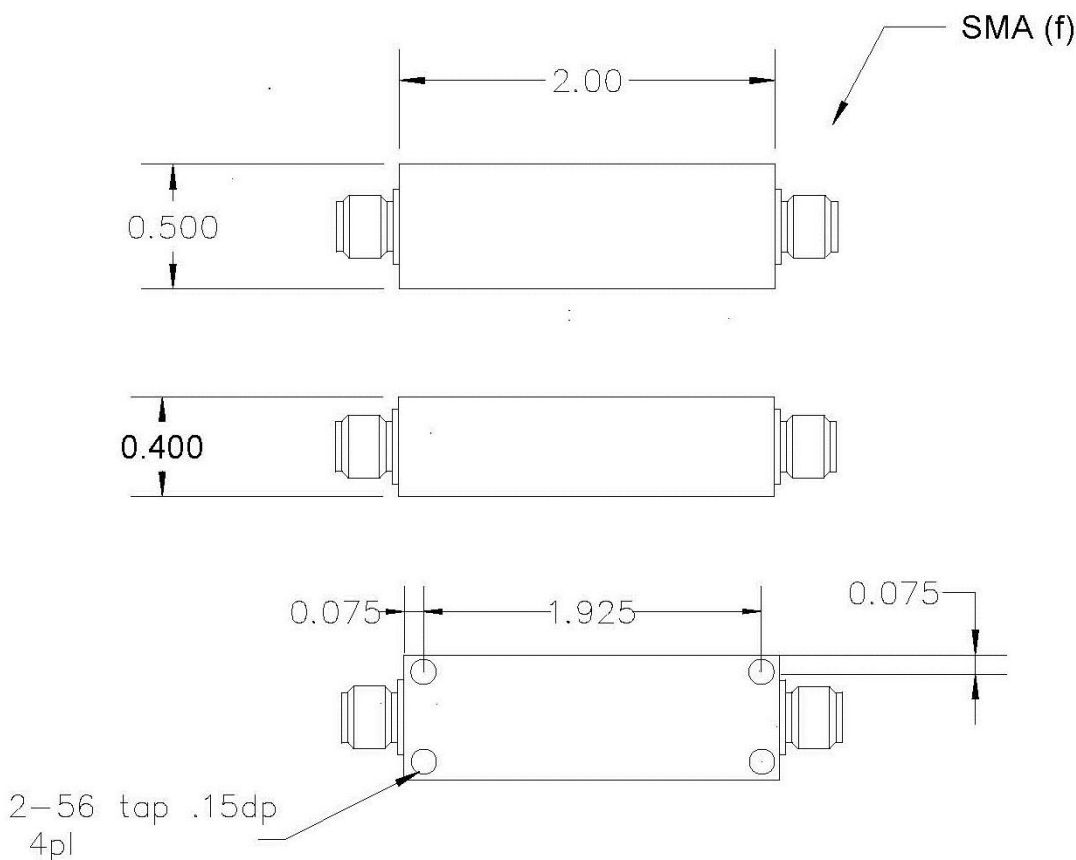
Dimensions: 2.0 x 0.5 x 0.4 Inches

Environmental

Operating Temperature: -20 to +75° C

Storage Temperature: -45 to +85° C

Outline Drawing:



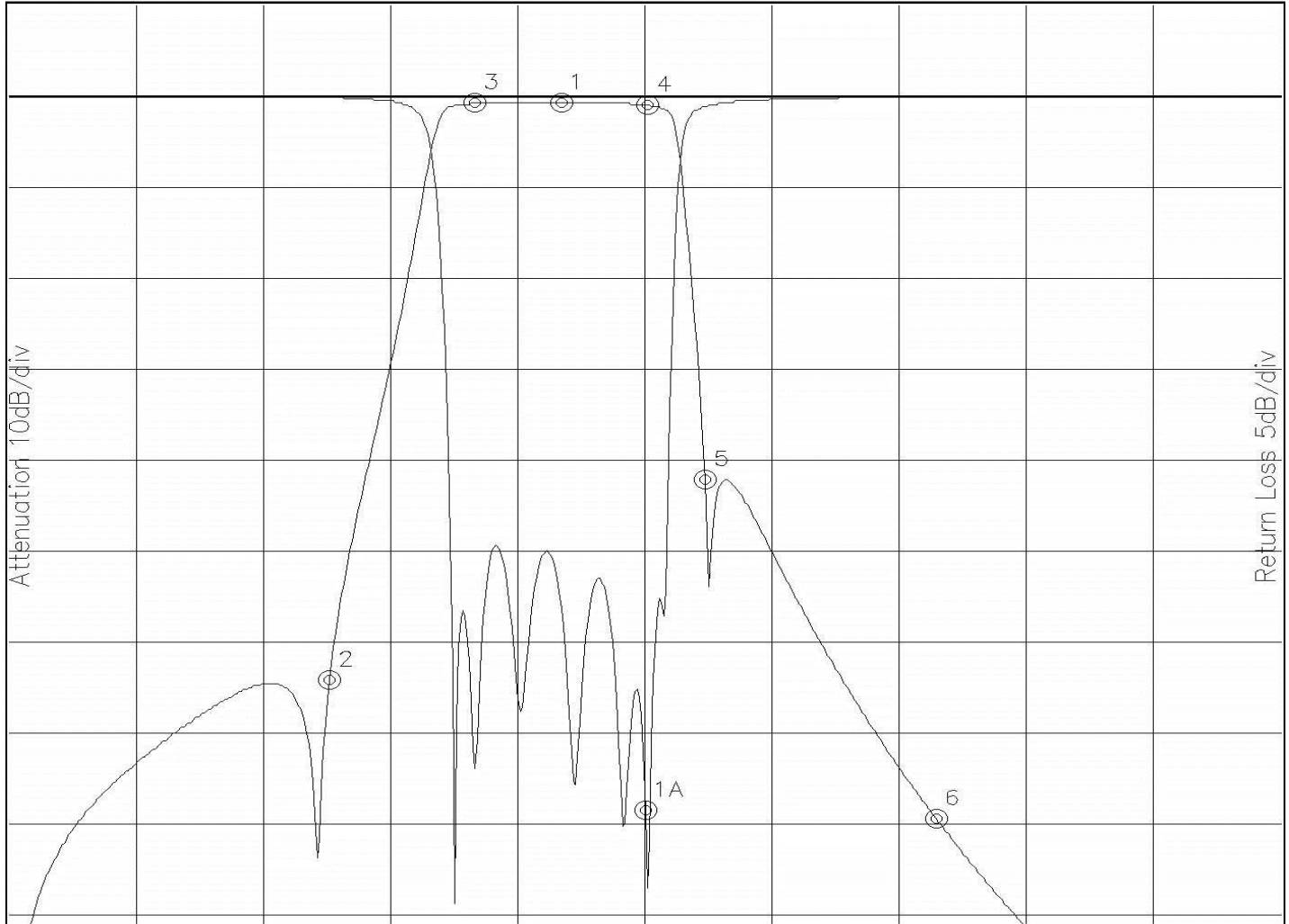


Response Plot:

A466.lad

DEC 30, 2014

Attenuation/Return Loss



Attenuation Start: 0.088Hz Stop: 880.0MHz

Return Loss Start: 0.088Hz Stop: 880.0MHz

Marker 1 Freq 381.00MHz Atten -0.582dB
 Marker 2 Freq 220.35MHz Atten -63.986dB
 Marker 3 Freq 321.29MHz Atten -0.719dB
 Marker 4 Freq 440.71MHz Atten -0.921dB
 Marker 5 Freq 480.51MHz Atten -42.025dB
 Marker 6 Freq 641.16MHz Atten -79.210dB

Marker 1A Freq 439.28MHz Ret Loss -39.106dB