



ANATECH ELECTRONICS INC
RF & Microwave Filters & Products

3840 MHz Cavity Bandpass Filter

Part Number: AE3840B12031



Electrical specifications

Center Frequency: 3840 MHz

Bandwidth: 200 MHz

Passband: 3740 – 3940 MHz

Insertion Loss: 2.0 dB Max.

Return Loss: 15 dB Min

Rejection: 50 dB Min @ 3640 MHz

Rejection: 50 dB Min @ 4040 MHz

Input / Output Impedance: 50 Ohms

Power Handling: 1W

Mechanical

Connector Type: SMA Female

Dimensions: 2.32 x 2.32 x 0.99 in.

59 x 59 x 25 mm

Environmental

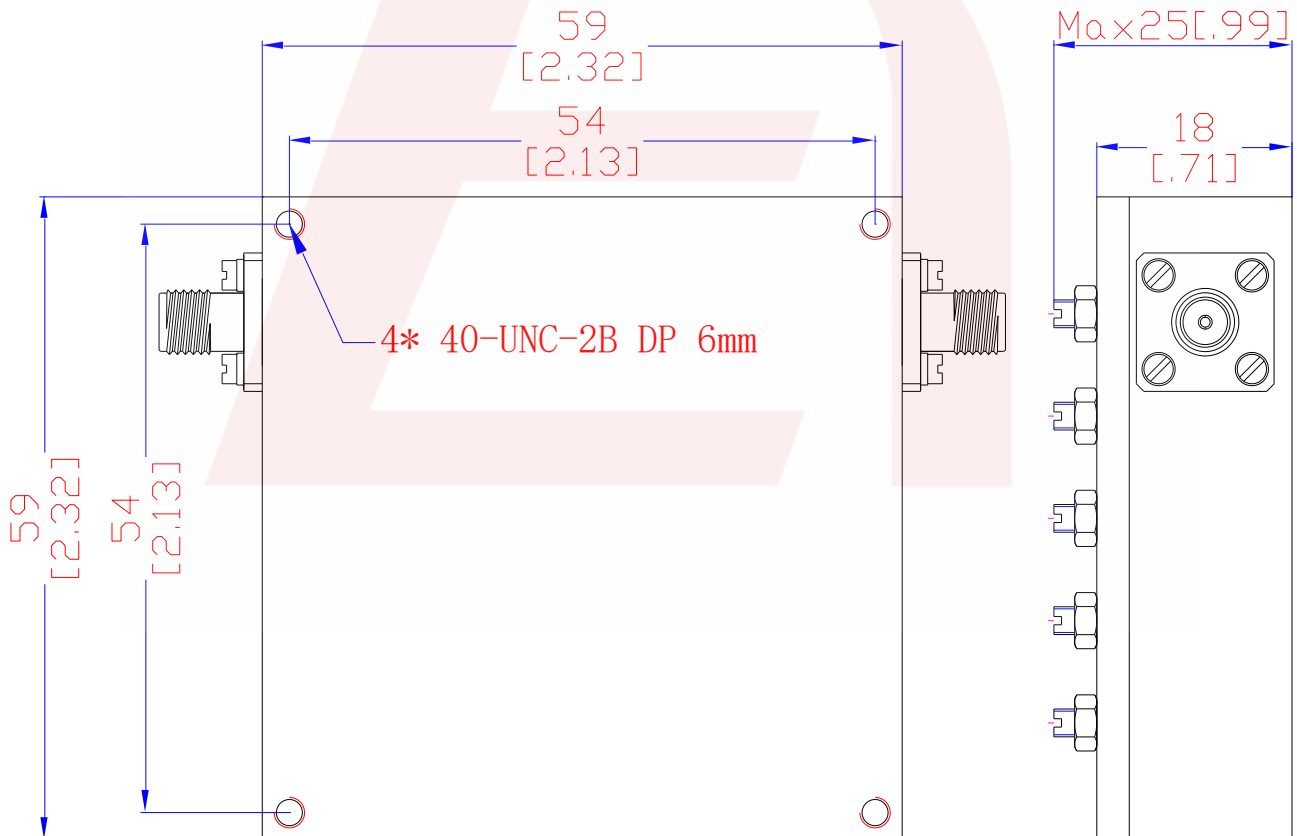
Operating Temperature: -45 to +85 deg.C

Storage Temperature: -55 to +95 deg.C

Shock: 20 G. 11ms

Vibration: 20 G. 5 to 200 MHz

Outline Drawing:



DS-B12031-08302023-Rev0