



ANATECH ELECTRONICS INC
RF & Microwave Filters & Products

3850 MHz Cavity Bandpass Filter

Part Number: AE3850B10548



Electrical Specifications

Center Frequency: 3850 MHz
Bandwidth: 700 MHz
Passband : 3500 to 4200 MHz
Insertion Loss: ≤1dB @3500 to 4200 MHz
Return Loss: >14 dB @3500 to 4200 MHz
Impedance: 50 Ohms
Power Handling: 200 Watts

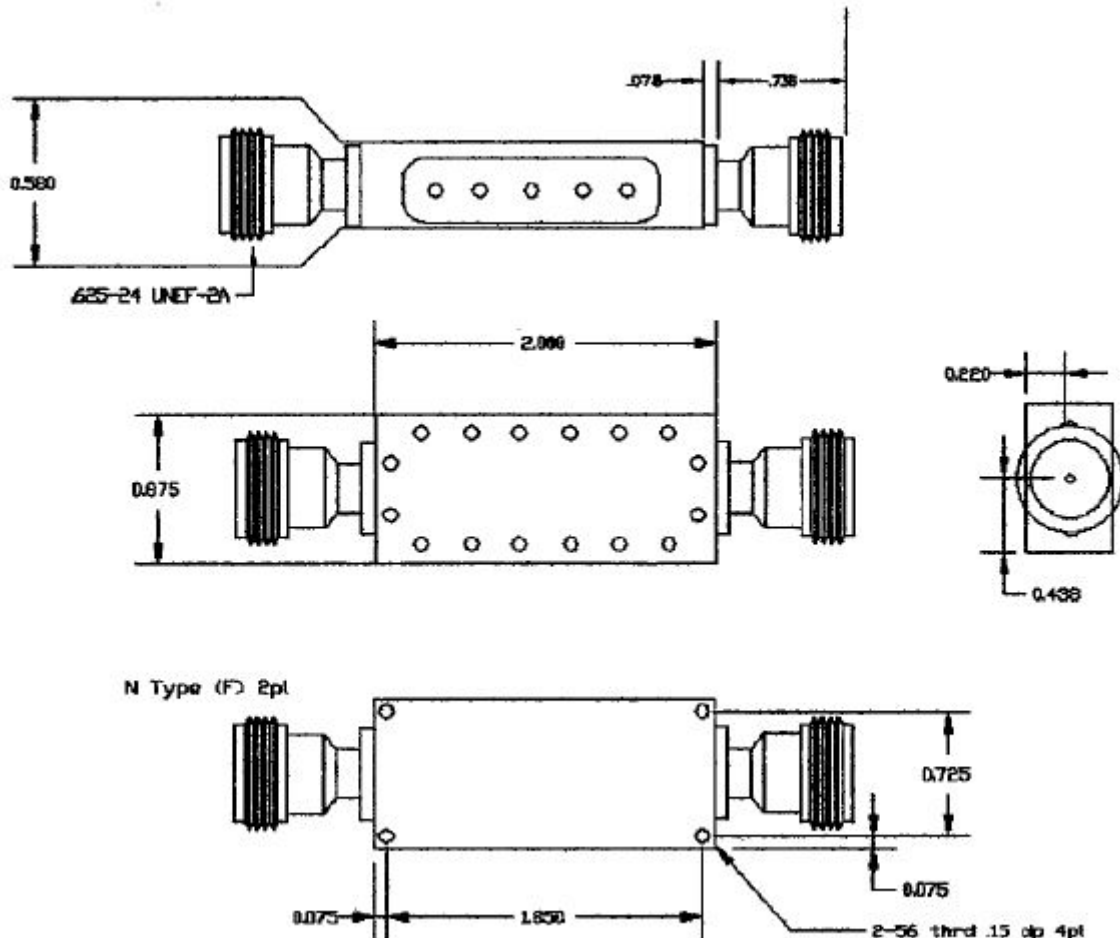
Mechanical

Mounting Method: Threaded Mounting Holes
Connector Type: N-Type(Female)
Dimensions: 2.9" X 1.10" x 1.125" in.

Environmental

Operating Temperature: -25°C to +70°C
Storage Temperature: -40°C to +90°C
Shock: 20 G. 11ms
Vibration: 20 G. 5 to 200Hz

Outline Drawing:





ANATECH ELECTRONICS INC
RF & Microwave Filters & Products

3850 MHz Cavity Bandpass Filter

Part Number: AE3850B10548



Response Plot:

