



ANATECH ELECTRONICS INC
RF & Microwave Filters & Products

4100 MHz LC Bandpass Filter

Part Number: AE4100B6440



Electrical Specifications

Center Frequency: 4100 MHz
Passband: <1 @ 3933 MHz to 4268 MHz
VSWR: 1.5:1
Insertion Loss: <3 dB @ 3933 MHz to 4268 MHz
Impedance: 50 Ohms
Rejection: > 70 dB @ 4700 MHz

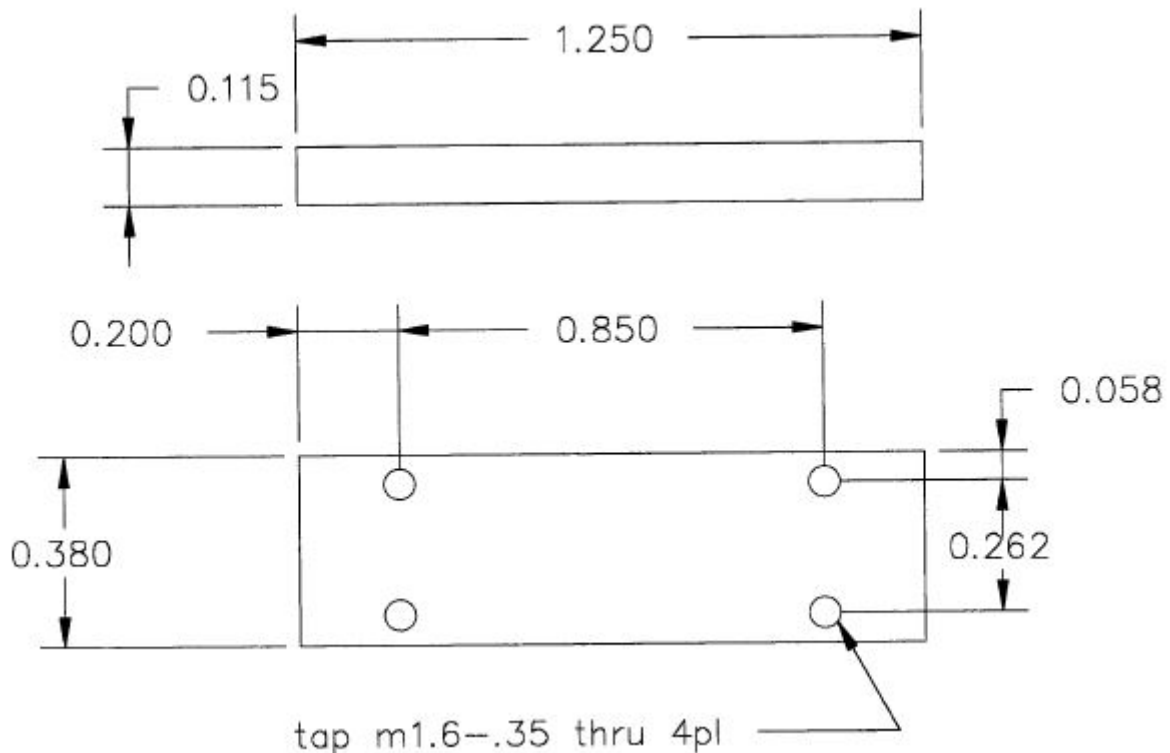
Mechanical

Mounting Method: Through Holes
Dimensions: 1.25" X 0.38" x 0.38" in.

Environmental

Operating Temperature: -25°C to +70°C
Storage Temperature: -40°C to +90°C
Shock: 10 G. 11ms
Vibration: 10 G. 5 to 200Hz

Outline Drawing:





ANATECH ELECTRONICS INC
RF & Microwave Filters & Products

4100 MHz LC Bandpass Filter

Part Number: AE4100B6440



Response Plot:

Freq.[MHz]	ATT[dB]	Flatness	SPEC
4000	2.55	0.28	(0.5)
4100	2.27	0.00	3.0
4200	2.52	0.25	(0.5)
4500	70.02		60.0
4700	100.36		70.0

