



ANATECH ELECTRONICS INC
RF & Microwave Filters & Products

406-420 MHz Cavity Band Pass Filter

Part Number: AE413B11882



Electrical Specifications

Center Frequency: 413 MHz
Passband: 406-420 MHz
Insertion Loss in Passband: 1.5 dB Max.
Passband Return Loss : 15 dB Min.
Rejection1: ≥ 80dB @ 380 MHz
Rejection2: ≥ 80dB @ 440 MHz
Power Handling: 50 W

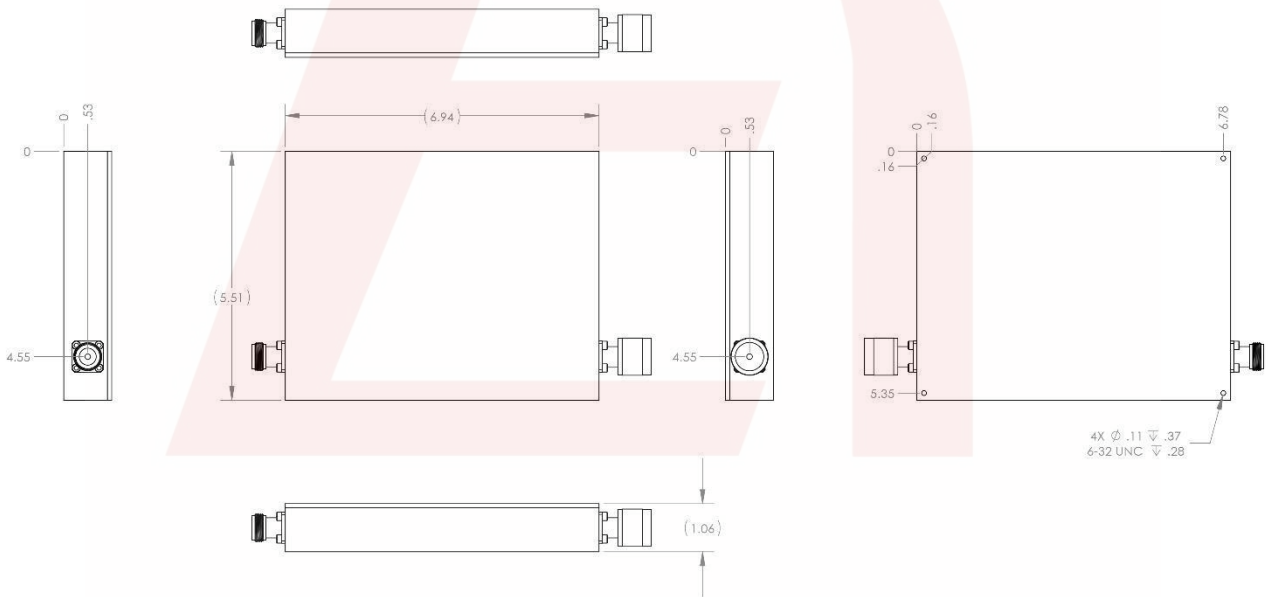
Mechanical

Mounting Method: 6-32 Threaded Mounting Hole
Connector Type: N (F)/N (M)
Dimensions: 6.94" X 5.51" X 1.06"

Environmental

Operating Temperature: -25°C to +70°C
Storage Temperature: -75°C to +90°C
Shock: 10 G. 11ms
Vibration: 10 G. 5 to 200Hz

Outline Drawing:



2 decimal places: +/-0.01 inches [+/-0.3mm]
 3 decimal places: +/- 0.005 inches [+/-0.13mm]
 Angles: +/- 1 Deg.

When max dimensions are called out the above tolerances do not apply as long as it is under the max call out.

Reference DCR: D052219-01A

70 Outwater Lane **Phone: (973) 772-4242**
Garfield, NJ 07026 **Fax : (973) 321-3941**

Email: sales@anatechelectronics.com
Web: www.anatechelectronics.com



ANATECH ELECTRONICS INC
RF & Microwave Filters & Products

406-420 MHz LC Band Pass Filter

Part Number: AE413B11882



Simulated response



2 decimal places: +/-0.01 inches [+/-0.3mm]
3 decimal places: +/- 0.005 inches [+/-0.13mm]
Angles: +/- 1 Deg.

Reference DCR: D052219-01A

When max dimensions are called out the above tolerances do not apply as long as it is under the max call out.

70 Outwater Lane Phone: (973) 772-4242
Garfield, NJ 07026 Fax : (973) 321-3941

Email: sales@anatechelectronics.com
Web: www.anatechelectronics.com