



**ANATECH ELECTRONICS INC**  
RF & Microwave Filters & Products

# 4250 MHz Suspended Stripline High Pass Filter

**Part Number: AE4250SSH6555**



## Electrical Specifications

**Cut Off Frequency:** 4.25GHz  
**Pass Band Frequency:** 4.25~20GHz  
**Pass Band Insertion Loss:**  
 $\leq 2.0\text{dB}$  @ 4.25~4.5GHz  
 $\leq 1.0\text{dB}$  @ 4.5~20GHz  
**Pass Band VSWR:**  $\leq 1.5:1$   
**Stop Band Attenuation:**  $\geq 60\text{dB}$  @ DC~3.78GHz  
**Impedance:** 50 Ohms  
**Power Handling:**  $\leq 15\text{W}$

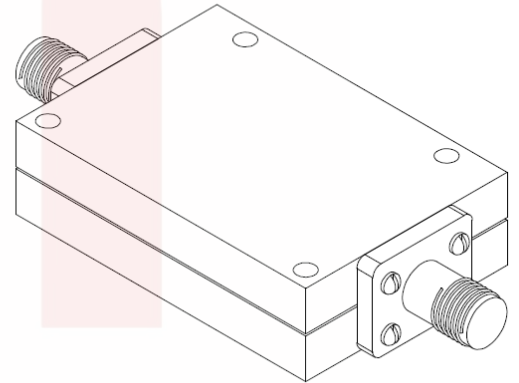
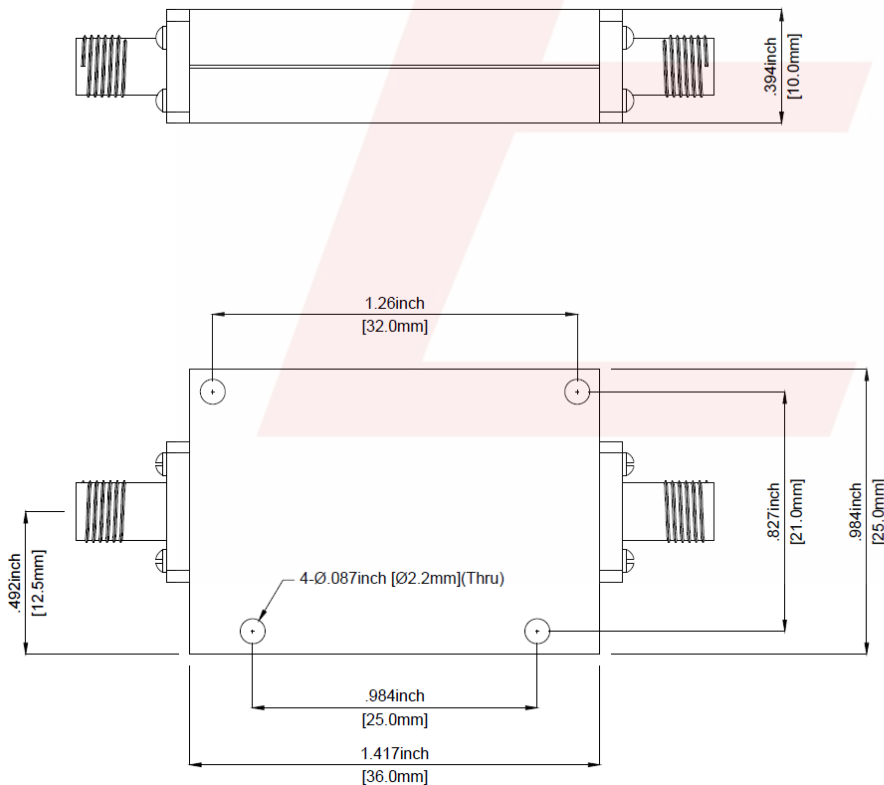
## Mechanical

**Mounting Method:** Through Holes  
**Connector Type:** SMA-Female  
**Dimensions:** 36 x 25 x 10 mm

## Environmental

**Operating Temperature:** -45 to +85° C  
**Storage Temperature:** -55 to +95° C  
**Shock:** 20 G. 11ms  
**Vibration:** 20 G. 5 to 200 Hz

## Outline Drawing:



DS-SSH6555-01252019-Rev0

70 Outwater Lane Phone: (973) 772-4242  
Garfield, NJ 07026 Fax : (973) 321-3941

Email: [sales@anatechelectronics.com](mailto:sales@anatechelectronics.com)  
Web: [www.anatechelectronics.com](http://www.anatechelectronics.com)