



4400-4600 MHz Cavity Band Pass Filter

Part Number: AE4500B11837



ANATECH ELECTRONICS INC
RF & Microwave Filters & Products

Electrical Specifications

Center Frequency: 4500 MHz
Passband: 4400-4600 MHz
Insertion Loss: In Passband \leq 1dB
Return Loss: In Passband 14 dB min.
Rejection1: \geq 70 dB @ 4000 MHz
Rejection2: \geq 70 dB @ 4800 MHz
Power Handling: 80 Watts Max
Impedance: 50 Ohms

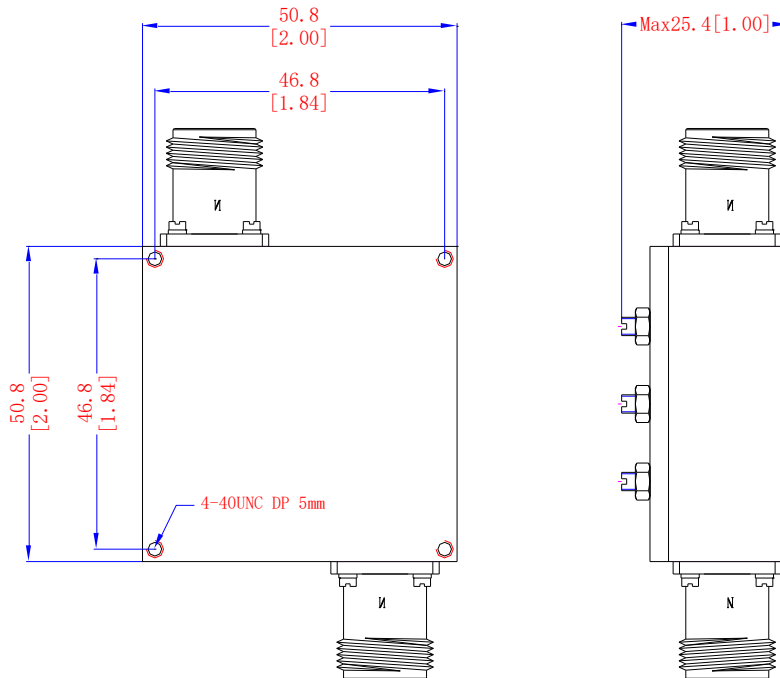
Mechanical

Mounting Method: 4-40 Threaded holes
Connector Type: N Type (F) In/Out
Dimensions: 2" x 2" x 1"
50.8 x 50.8 x 25.4mm

Environmental

Operating Temperature: -40°C to +70°C
Storage Temperature: -55°C to +95°C
Shock: 20 G. 11ms
Vibration: 20 G 0.5 to 200Hz

Outline Drawing:



Tolerance: +/-0.01 inches [+/- 0.3mm]

Angles: +/- 1 Deg.

*Tolerance as shown unless otherwise specified in the datasheet electrical specification tables above.

*When max dimensions are called out the above tolerances do not apply as long as it is under the max call out.

70 Outwater Lane Phone: (973) 772-4242
Garfield, NJ 07026 Fax : (973) 321-3941

Email: sales@anatechelectronics.com
Web: www.anatechelectronics.com



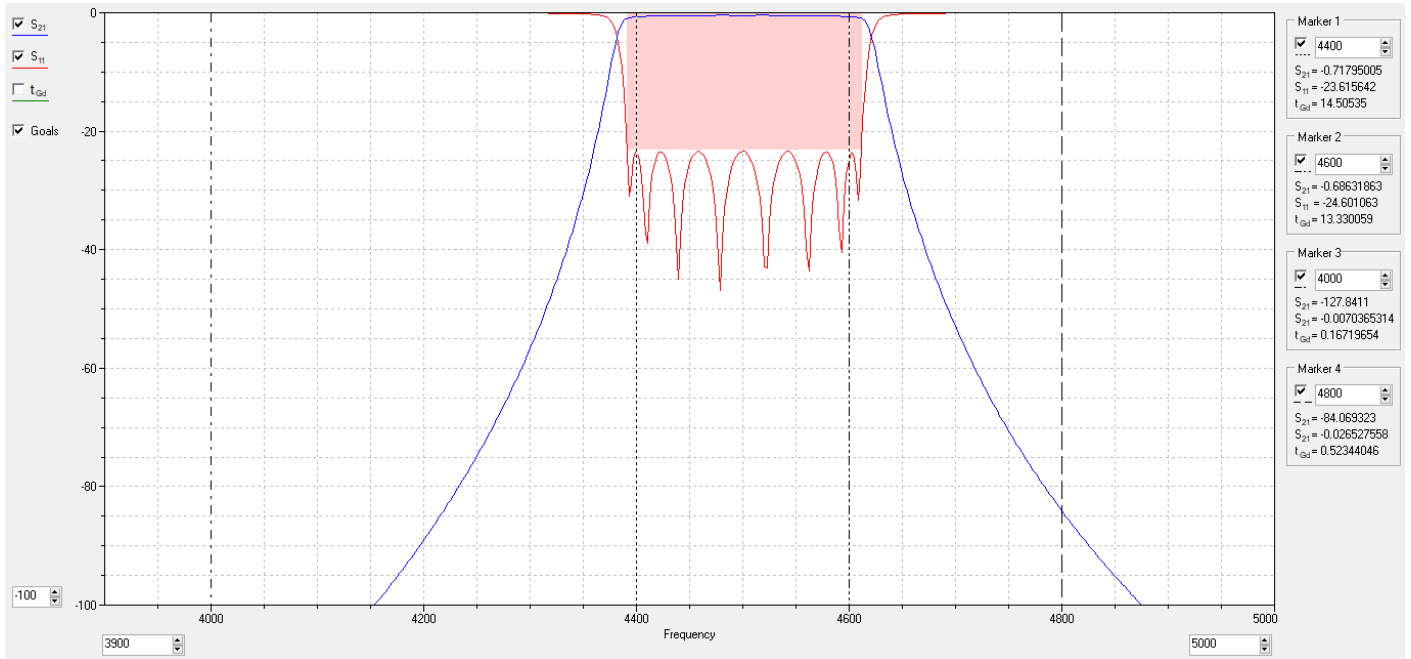
ANATECH ELECTRONICS INC
RF & Microwave Filters & Products

4400-4600 MHz Cavity Band Pass Filter

Part Number: AE4500B11837



Simulated Response Plot



Note: This is a simulated response plot, actual results may differ.

70 Outwater Lane Phone: (973) 772-4242
Garfield, NJ 07026 Fax : (973) 321-3941

Email: sales@anatechelectronics.com
Web: www.anatechelectronics.com