



ANATECH ELECTRONICS INC
RF & Microwave Filters & Products

450-470 MHz Cavity Band Pass Filter

Part Number: AE460B11883



Electrical Specifications

Center Frequency: 460 MHz
Passband: 450-470 MHz
Insertion Loss in Passband: 1.5 dB Max.
Passband Return Loss : 15 dB Min.
Rejection1: ≥ 80dB @ 410 MHZ
Rejection2: ≥ 80dB @ 490 MHZ
Power Handling: 50 W

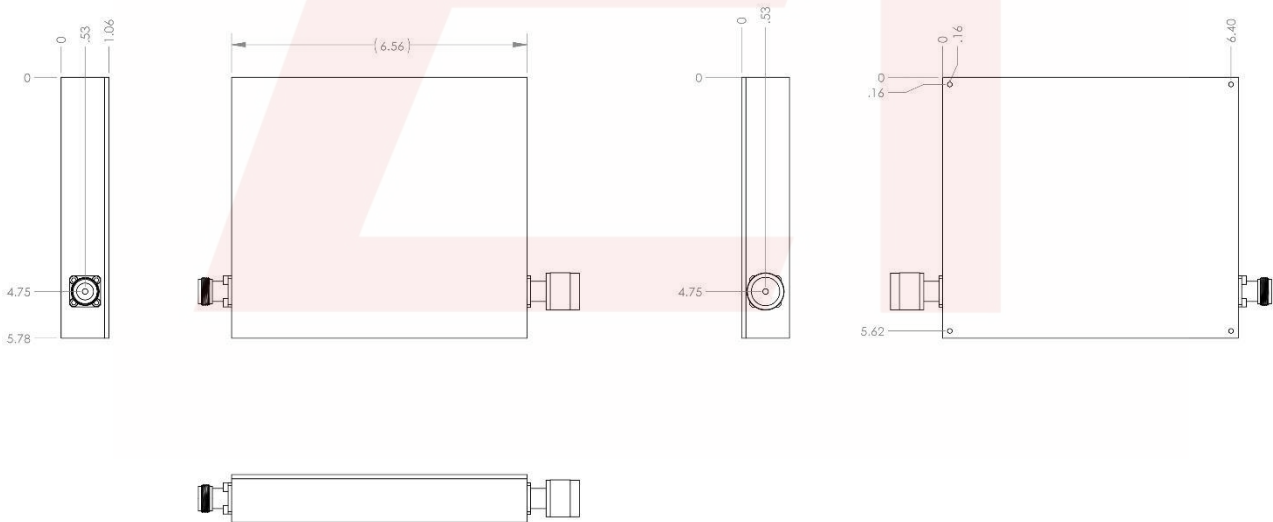
Mechanical

Mounting Method: 6-32 Thru holes (top)
Connector Type: N (F)/N (M)
Dimensions: 6.56" X 5.78" X 1.06"

Environmental

Operating Temperature: -25°C to +70°C
Storage Temperature: -75°C to +90°C
Shock: 20 G. 11ms
Vibration: 20 G. 5 to 200Hz

Outline Drawing:



2 decimal places: +/-0.01 inches [+/- 0.3mm]
 3decimal places: +/- 0.005 inches [+/- 0.13mm]
 Angles: +/- 1 Deg.

When max dimensions are called out the above tolerances do not apply as long as it is under the max call out.

DS-B11883-11112021-Rev0

70 Outwater Lane **Phone: (973) 772-4242**
Garfield, NJ 07026 **Fax : (973) 321-3941**

Email: sales@anatechelectronics.com
Web: www.anatechelectronics.com



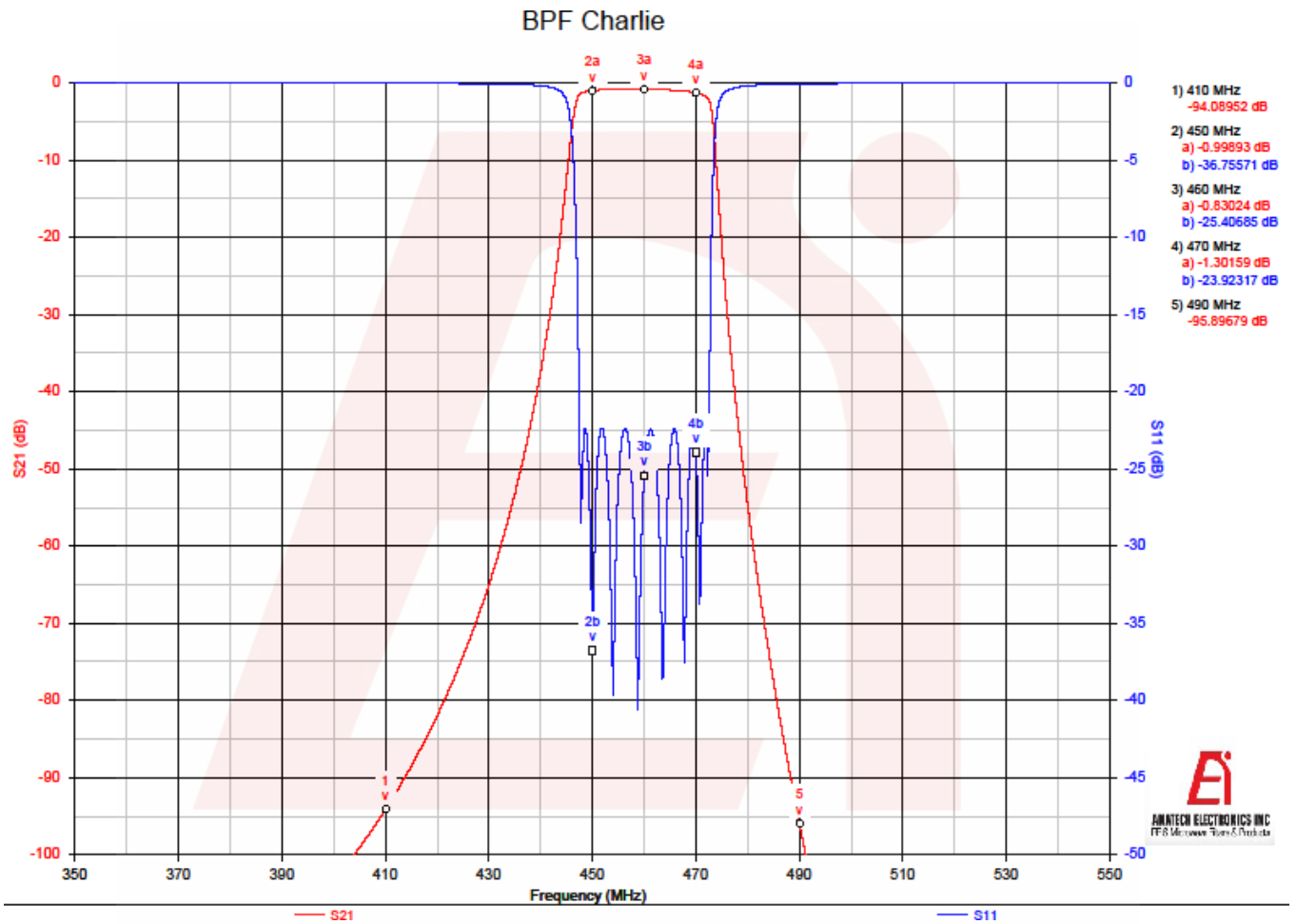
ANATECH ELECTRONICS INC
RF & Microwave Filters & Products

450-470 MHz Cavity Band Pass Filter

Part Number: AE460B11883



Simulated response



DS-B11883-11112021-Rev0