



482.975-483.9125 / 485.975-486.9125 MHz

Cavity Duplexer

Part Number: AE483-486DB5550



**ANATECH ELECTRONICS INC**  
RF & Microwave Filters & Products

**Mechanical**

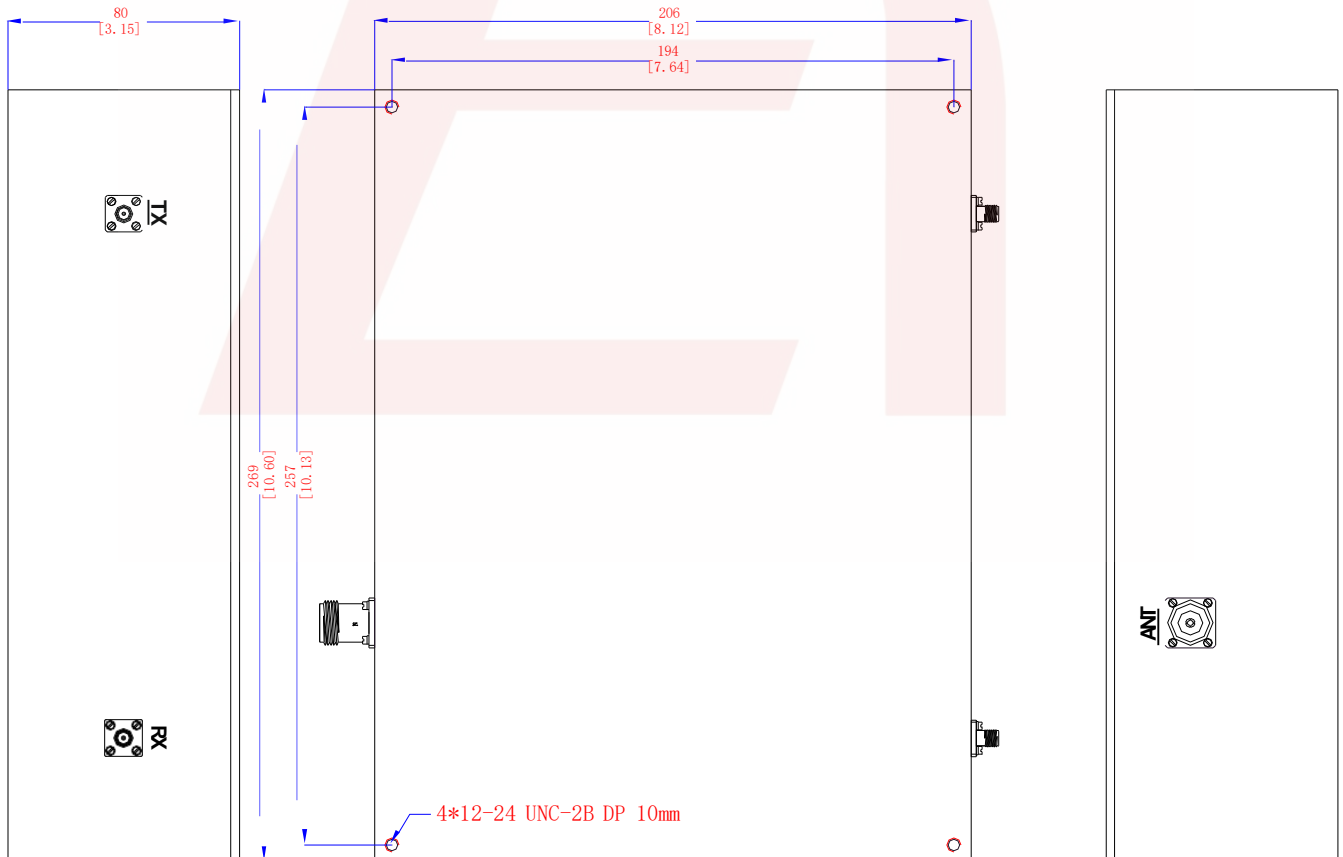
<b>Connector Type:</b>	Common N-Type (F) Rx & Tx – SMA (F)
<b>Dimensions:</b>	10.60 x 8.12 x 3.15 in. 269 x 206 x 80 mm

**Environmental**

<b>Operating Temperature:</b>	-20 to +55 deg.C
<b>Storage Temperature:</b>	-45 to +85 deg.C
<b>Shock:</b>	20 G. 11ms
<b>Vibration:</b>	20 G. 5 to 200 Hz

Characteristics	Band 1 (Rx)	Band 2 (Tx)
<b>Frequency:</b>	482.975 – 483.9125 MHz	485.975 – 486.9125 MHz
<b>Insertion loss:</b>	2.5 dB Max	3.5 dB max
<b>Ripple:</b>	0.5 dB Max	0.5 dB Max
<b>Return Loss:</b>	20 dB Min	20 dB Min
<b>Isolation:</b>	70 dB	20 dB
<b>Impedance:</b>	50 Ohms In/Out	
<b>Power Handling:</b>	50 W CW	

**Outline Drawing:**



DS-DB5550-02062024-Rev0



**ANATECH ELECTRONICS INC**  
RF & Microwave Filters & Products

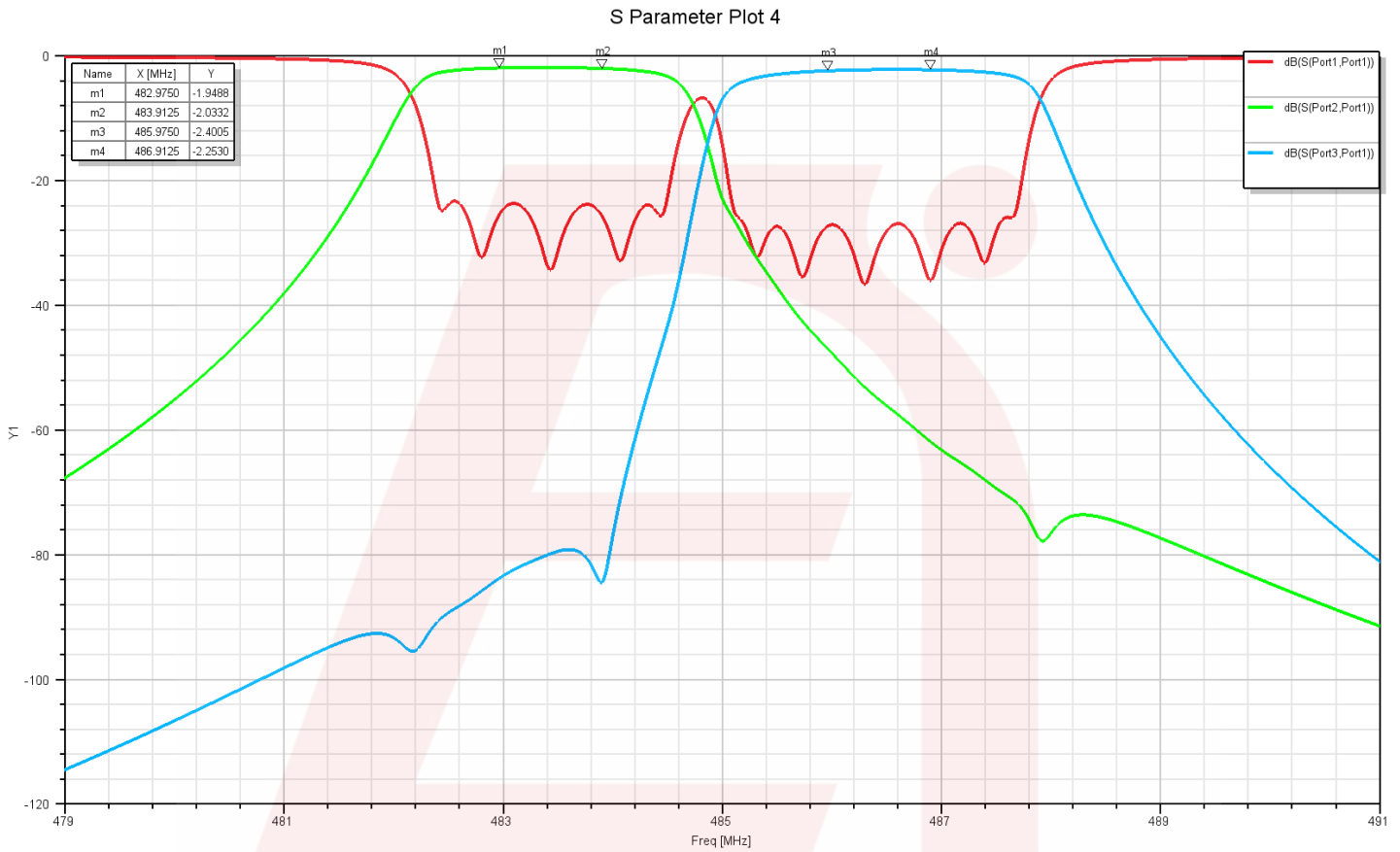
**482.975-483.9125 / 485.975-486.9125 MHz**

**Cavity Duplexer**

**Part Number: AE483-486DB5550**



### Simulation Plot:



Note: This is a simulation Plot. Actual response plot might differ.

DS-DB5550-02062024-Rev0