



4970 MHz Cavity Bandpass Filter

Part Number: AE4970B11989



Electrical Specifications

Center Frequency: 4970 MHz
Passband: 4960 – 4980 MHz
Insertion Loss: 2.0 dB Max
Return Loss: 20 dB Min
Rejection: 20 dB Min @ 4950 MHz & 4990 MHz
 30 dB Min @ 5200 MHz
Impedance: 50 Ohms In/Out
Power Handling: 1 W CW Max

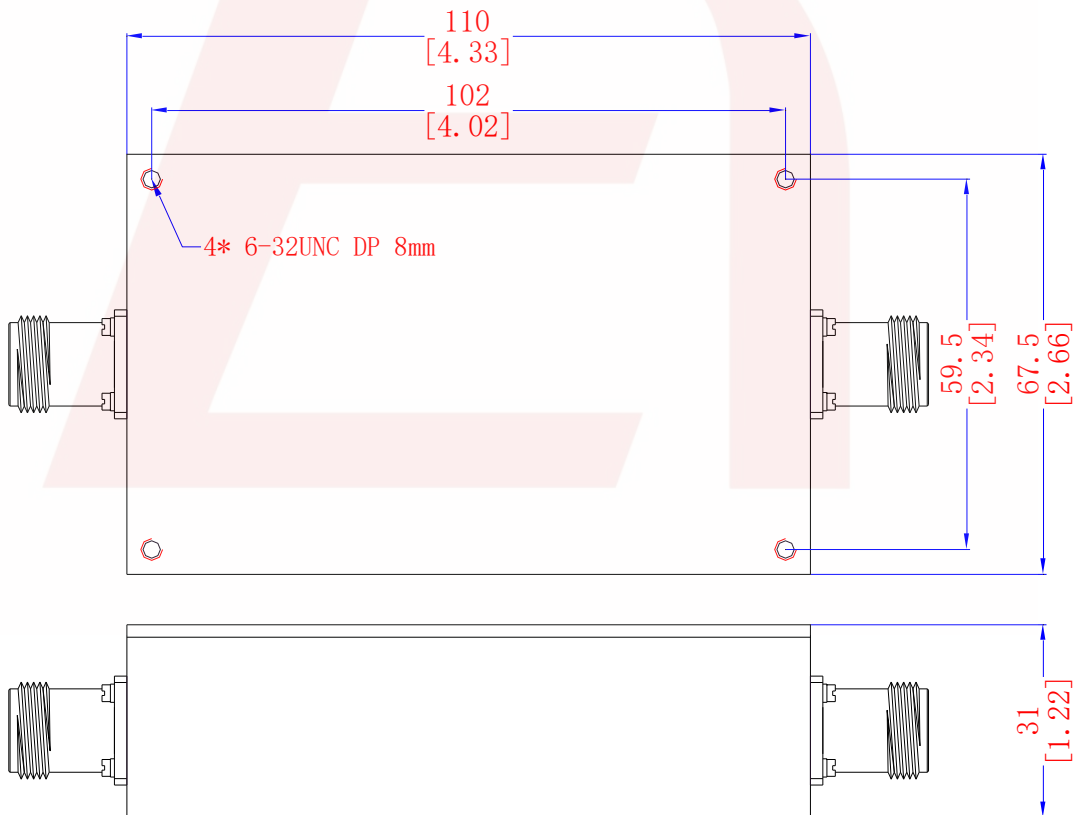
Mechanical

Connector Type: N-Type Female
Dimensions: 4.33 x 2.66 x 1.22 in.

Environmental

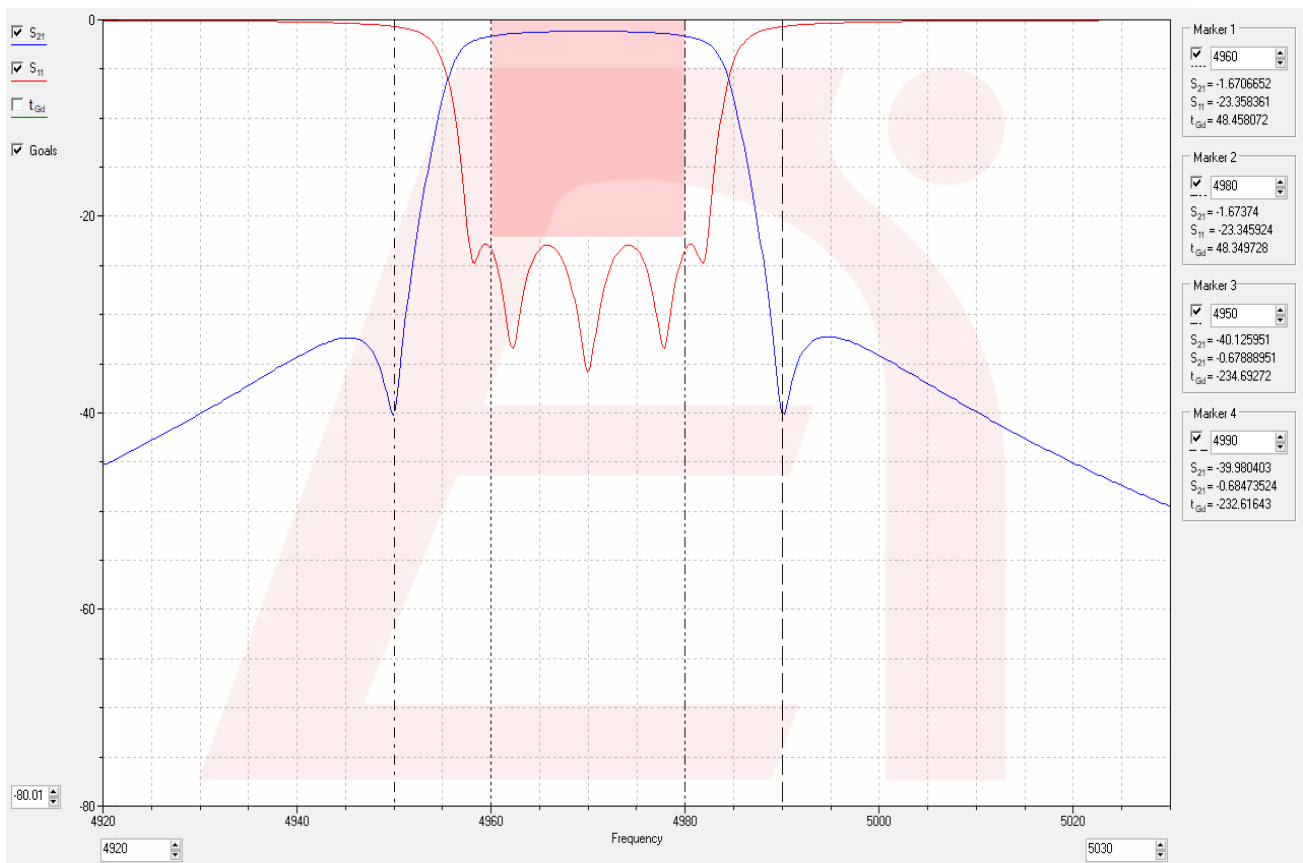
Operating Temperature: 0° C to +70° C
Storage Temperature: -55° C to +95° C
Shock: 20 G. 11ms
Vibration: 20 G. 5 to 200 Hz

Outline Drawing:





Simulated Response Plot:



Note: This is a simulation plot. Actual results may differ once the product is implemented.