



ANATECH ELECTRONICS INC
RF & Microwave Filters & Products

500 MHz LC Lowpass Filter

Part Number: AE500LL9323



Electrical Specifications

Cut-Off Frequency: 500 MHz
Passband: 75 – 500 MHz
Insertion Loss: 0.5 dB Max
Return Loss: 10 dB Min
Rejection: 50 dB Min @ 800 MHz
 50 dB Min @ 2000 MHz
Impedance: 50 Ohms In/Out
Power Handling: 200 W

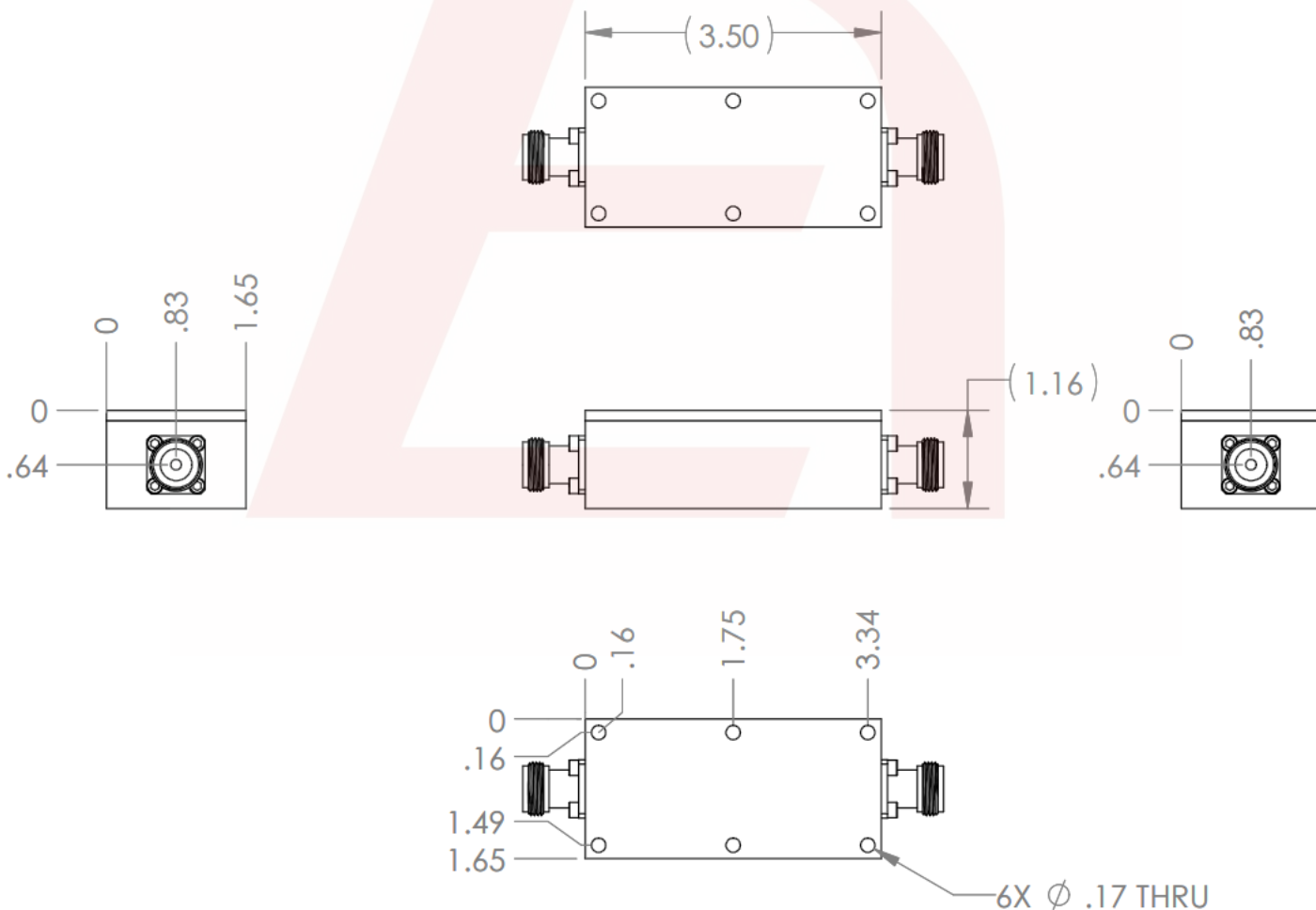
Mechanical

Mounting Method: Plate Mounted
Connector Type: N-Type (F)
Dimensions: 3.50 x 1.65 x 1.16 In.

Environmental

Operating Temperature: -45° C to +85° C
Storage Temperature: -55° C to +95° C
Shock: 10 G.11ms
Vibration: 10 G. 5 to 200Hz

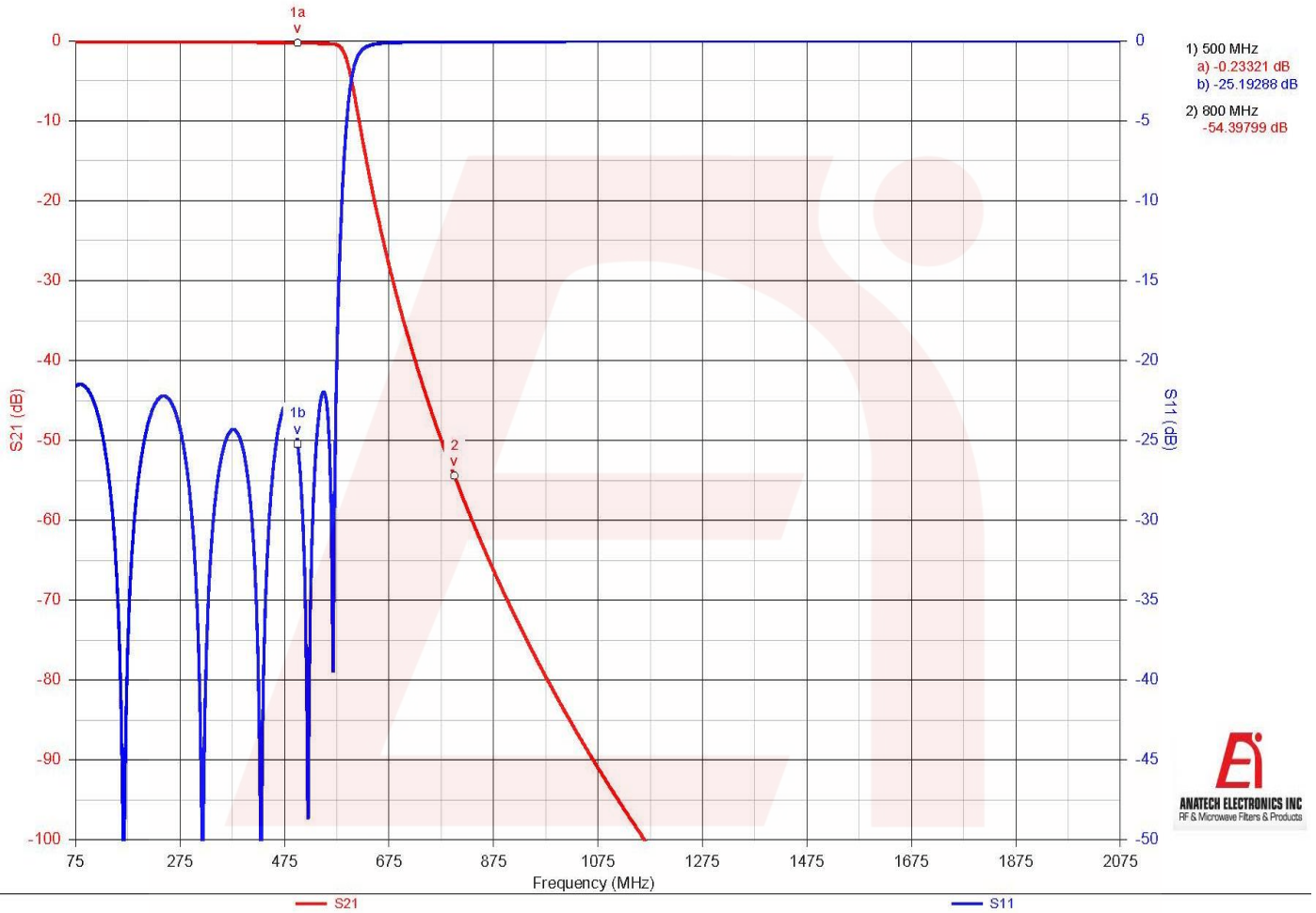
Outline Drawing:



DS-LL9323-02212024-Rev0



Simulation Plot:



Note: This is a simulation Plot. Actual response plot might differ.