



**ANATECH ELECTRONICS INC**  
RF & Microwave Filters & Products

# 5100 MHz LC Bandpass Filter

Part Number: AE5100B6448



## Electrical Specifications

**Center Frequency:** 5100 MHz  
**Passband:** <1 @ 4933 MHz to 5268 MHz  
**VSWR:** 1.5:1  
**Insertion Loss:** <3 dB @ 4933 MHz to 5268 MHz  
**Impedance:** 50 Ohms  
**Rejection:** > 70 dB @ 4700 MHz

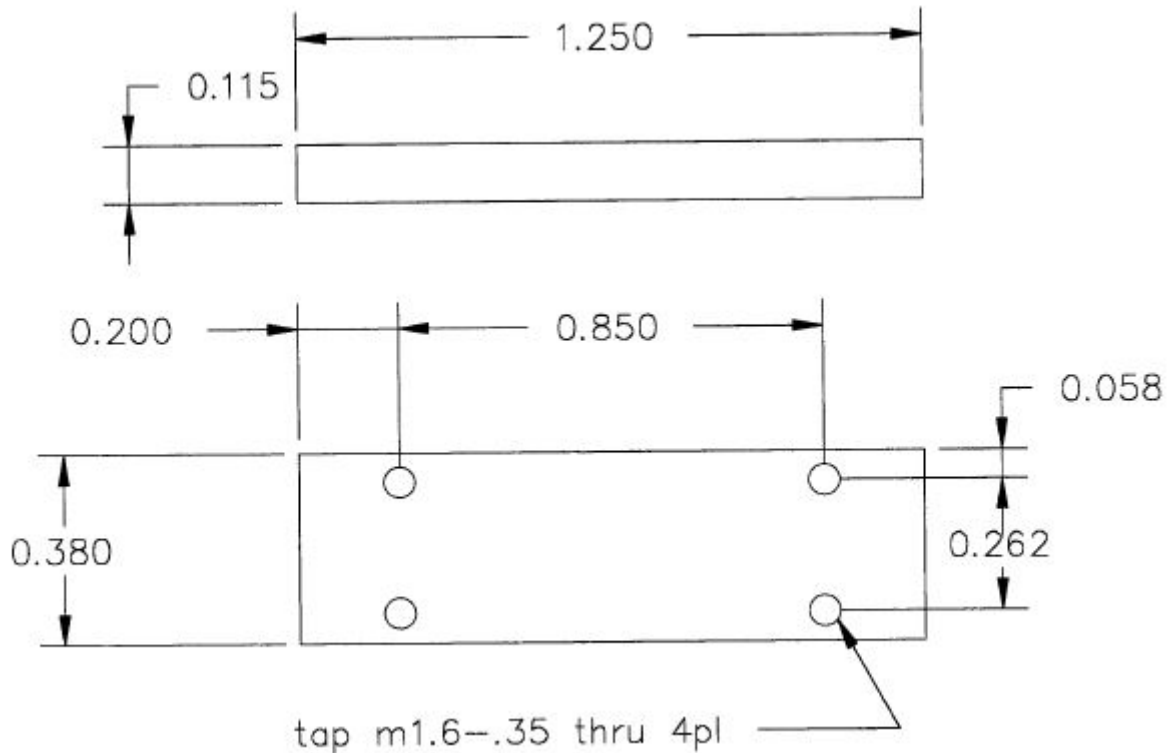
## Mechanical

**Mounting Method:** Through Holes  
**Dimensions:** 1.25" X 0.38" x 0.38" in.

## Environmental

**Operating Temperature:** -25°C to +70°C  
**Storage Temperature:** -40°C to +90°C  
**Shock:** 10 G. 11ms  
**Vibration:** 10 G. 5 to 200Hz

## Outline Drawing:





**ANATECH ELECTRONICS INC**  
RF & Microwave Filters & Products

# 5100 MHz LC Bandpass Filter

Part Number: AE5100B6448



## Response Plot:

Freq. (MHz)	ATT (dB)	SPEC	Flatness
4700	70.175	70	
4925	3.10	(0.5)	0.79
5100	2.30	3	0.00
5275	3.16	(0.5)	0.86

