



**Electrical Specifications**

**Center Frequency:** 5150 MHz  
**Bandwidth:** 300 MHz  
**Passband:** 5000 – 5300 MHz  
**Insertion Loss:** 0.5 dB Max  
**Return Loss:** 12 dB Min  
**Rejection:** 60 dB Min @ 4800 MHz  
                   60 dB Min @ 5500 – 11000 MHz  
**Impedance:** 50 Ohms In/Out  
**Power Handling:** 20 W CW Max

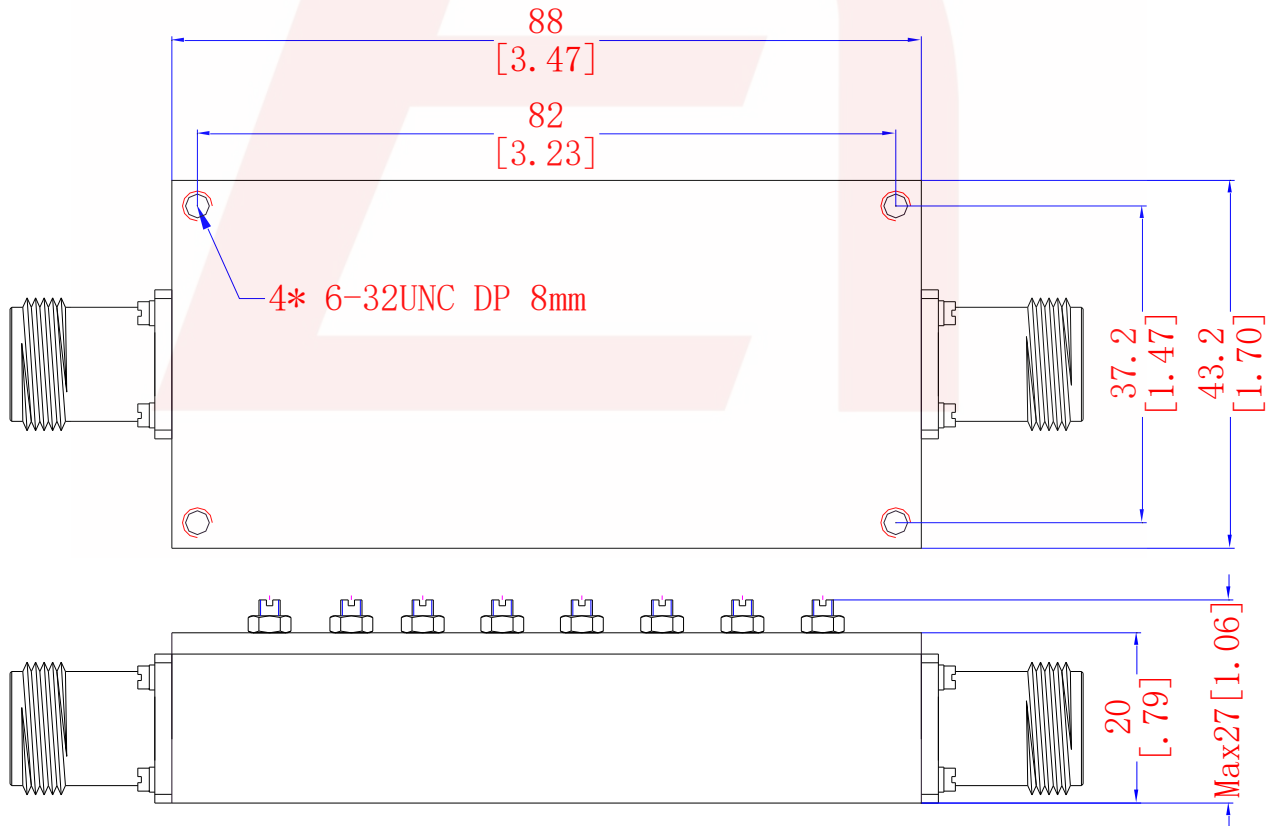
**Mechanical**

**Connector Type:** TNC Female  
**Dimensions:** 3.47 x 1.70 x 1.06 in.  
                   88 x 43.2 x 27 mm

**Environmental**

**Operating Temperature:** -45°C to +80°C  
**Storage Temperature:** -55°C to +90°C  
**Shock:** 20 G. 11ms  
**Vibration:** 20 G. 5 to 200Hz

**Outline Drawing:**





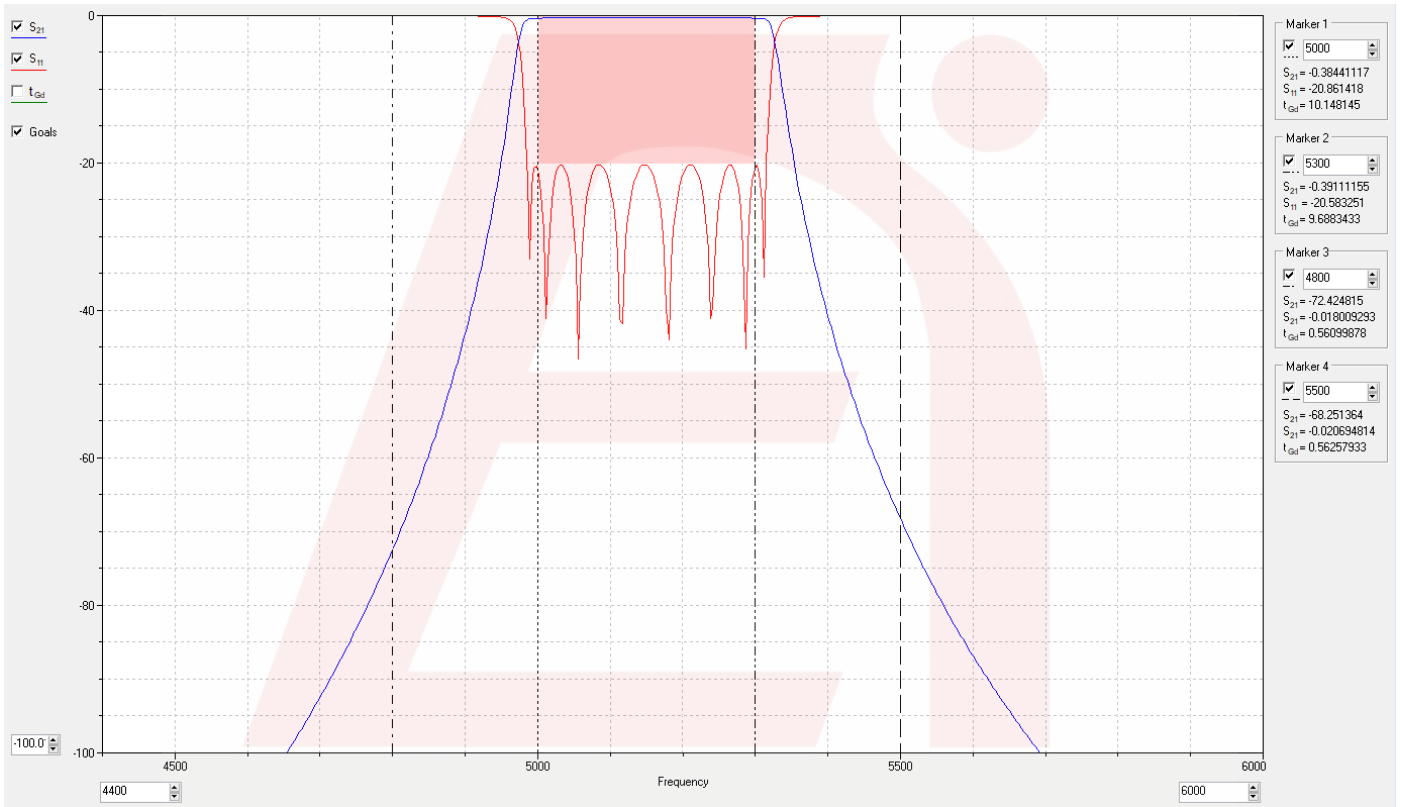
**ANATECH ELECTRONICS INC**  
RF & Microwave Filters & Products

# 5150 MHz Cavity Band Pass Filter

Part Number: AE5150B12145



## Simulation Plot:



DS-B12145-04242024-Rev0