



Electrical Specifications

Center Frequency: 560 MHz
0.5 dB Bandwidth: 4 MHz
3 dB Bandwidth: 8 MHz
Passband: 556-564 MHz
Insertion Loss @ Fo: 7.0 dB (Goal 5 dB) Max
Ripple: ±0.20 dB @ 556-564 MHz
VSWR: 1.5:1 Max
Phase Linearity: 3.0° Max @ 556-564 MHz
Rejection: >10 dB @ 545 & 580 MHz
 >20 dB @ 540 & 590 MHz
 >30 dB @ 530 & 600 MHz
 >40 dB @ 520 & 625 MHz
 >60 dB @ 500 & 650 MHz

Average Power: 1 Watt

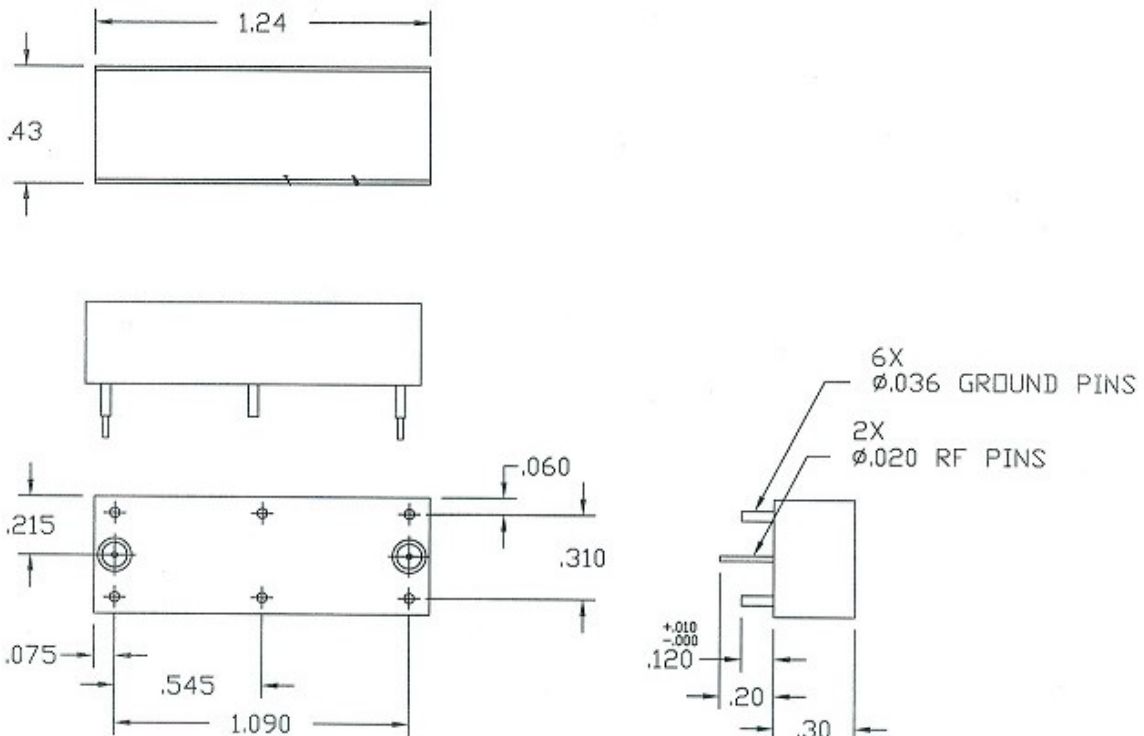
Mechanical

Mounting Method: PC Mount
Dimensions: 1.24 x 0.43 x 0.3 Inches

Environmental

Operating Temperature: -20 to +60° C
Operating Temperature: -45 to +85 C

Outline Drawing:





560 MHz Bandpass Filter

Part Number: AE560B11812

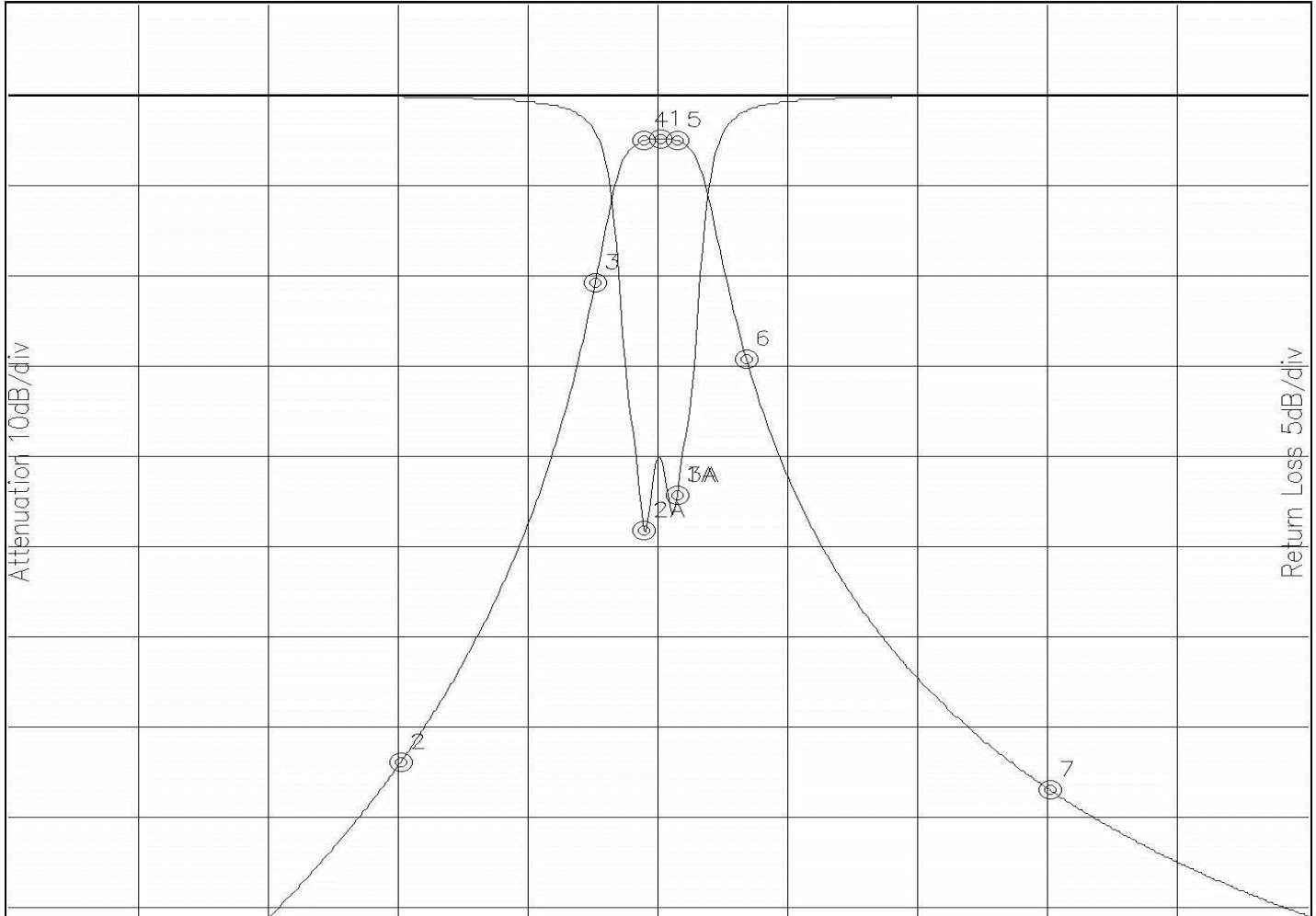


Response Plot:

A453.lad

DEC 7, 2014

Attenuation/Return Loss



Attenuation Start: 410.0MHz Stop: 710.0MHz

Return Loss Start: 410.0MHz Stop: 710.0MHz

Marker 1 Freq 560.24MHz Atten -4.718dB
 Marker 2 Freq 500.14MHz Atten -73.680dB
 Marker 3 Freq 545.21MHz Atten -20.599dB
 Marker 4 Freq 556.36MHz Atten -5.016dB
 Marker 5 Freq 564.12MHz Atten -4.970dB
 Marker 6 Freq 580.11MHz Atten -29.058dB
 Marker 7 Freq 650.38MHz Atten -76.753dB

Marker 1A Freq 564.12MHz Ret Loss -22.037dB
 Marker 2A Freq 556.36MHz Ret Loss -23.977dB
 Marker 3A Freq 564.12MHz Ret Loss -22.037dB

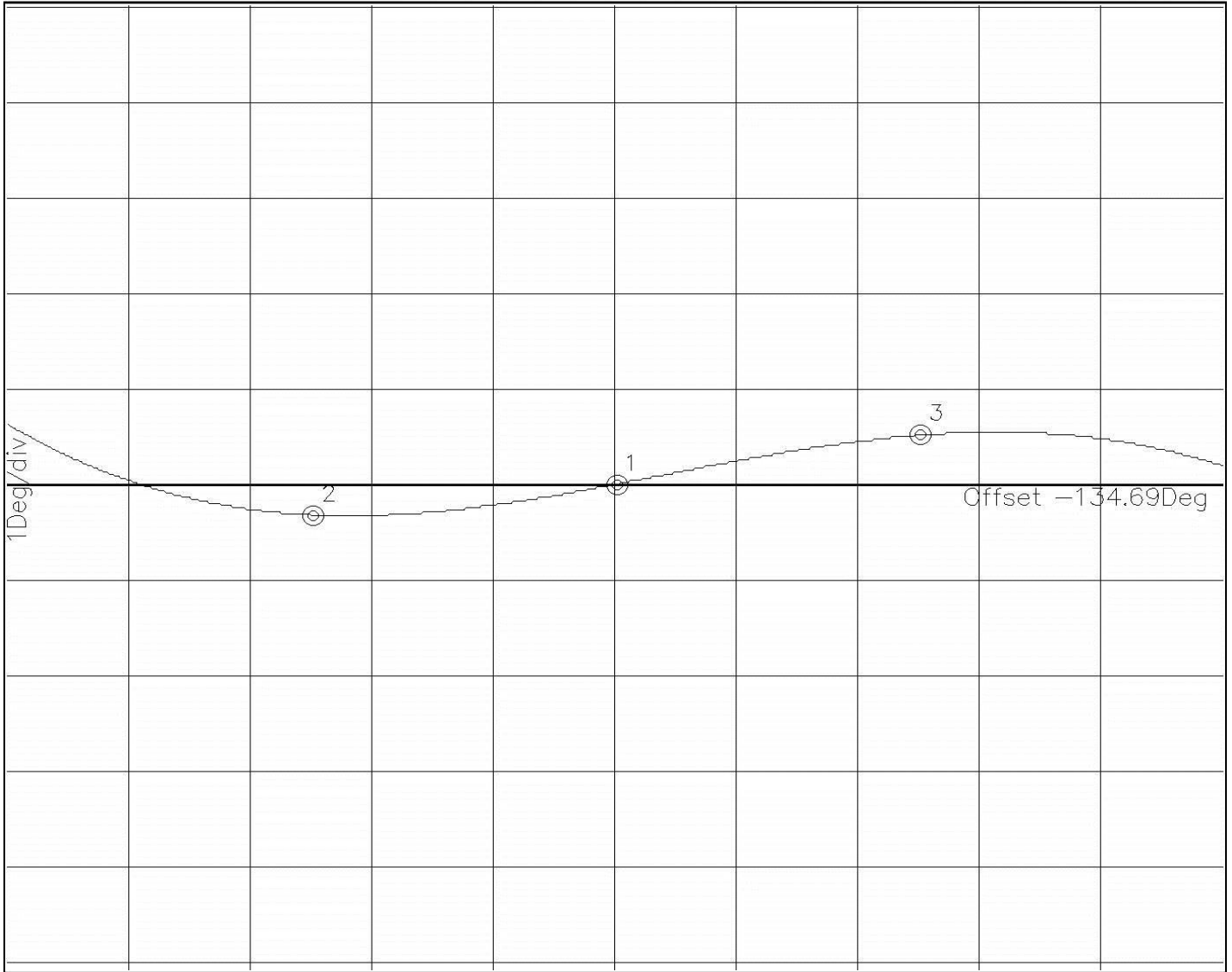


Phase Linearity:

A453.lad

DEC 7, 2014

Phase



Phase Start: 556.0MHz Stop: 564.0MHz

Marker 1 Freq 560.00MHz Phase 0.006Deg

Marker 2 Freq 558.00MHz Phase -0.316Deg

Marker 3 Freq 562.01MHz Phase 0.517Deg