



ANATECH ELECTRONICS INC
RF & Microwave Filters & Products

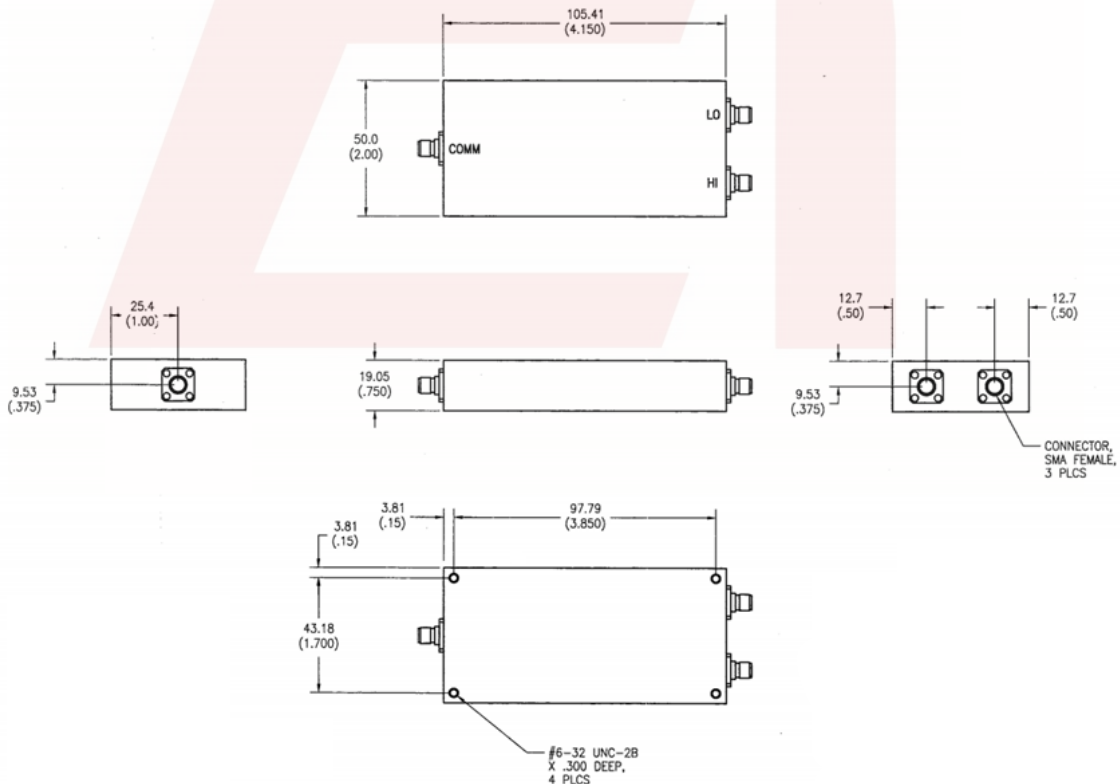
30-88 MHz / 180-512 MHz Diplexer



Part Number: AE59-310DB5479

<u>Characteristics</u>	<u>Band 1</u>	<u>Band 2</u>	<u>Mechanical</u>	
Passband:	30-88 MHz	180-512 MHz	Connectors:	SMA(F)
Bandwidth:	58 MHz	332 MHz	Dimensions:	4.15" X 2.0" X 0.75"
Return Loss:	>14 dB	>14 dB	Environmental	
Insertion Loss:	<0.5 dB	<0.5 dB	Operating Temperature:	-40 to +70 deg.C
Isolation	>20 dB		Storage Temperature:	-55 to +85 deg.C
Impedance:	50 Ohms		Shock:	10 G. 11ms
			Vibration:	10 G. 5 to 200Hz

Outline Drawing:



DS-DB5479-02222023-Rev0



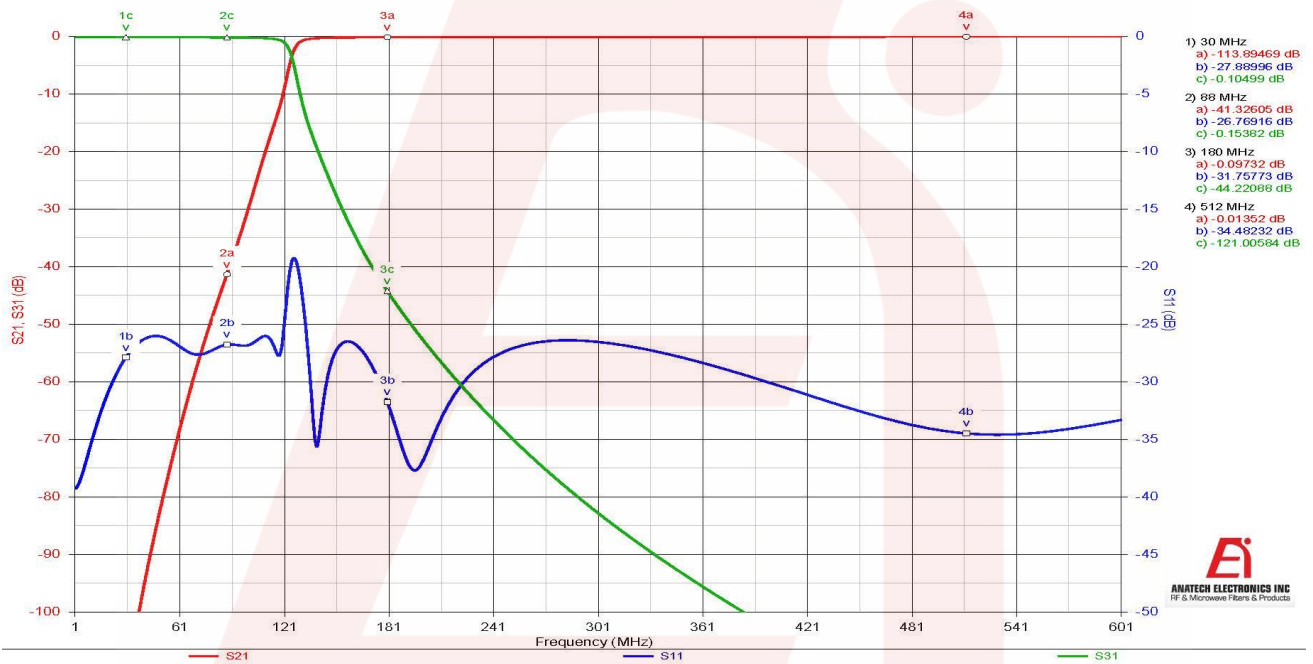
ANATECH ELECTRONICS INC
RF & Microwave Filters & Products

**30-88 MHz / 180-512 MHz
Diplexer**



Part Number: AE59-310DB5479

Response Plot:



DS-DB5479-02222023-Rev0