



Electrical Specifications

Passband: DC – 6000 MHz
Insertion loss: 1.0 dB Max
VSWR: 1.8 Max
Rejection: 70 dB Min @ 8000 - 18100MHz
Impedance: 50 Ω
Power Handling: 100 W Max

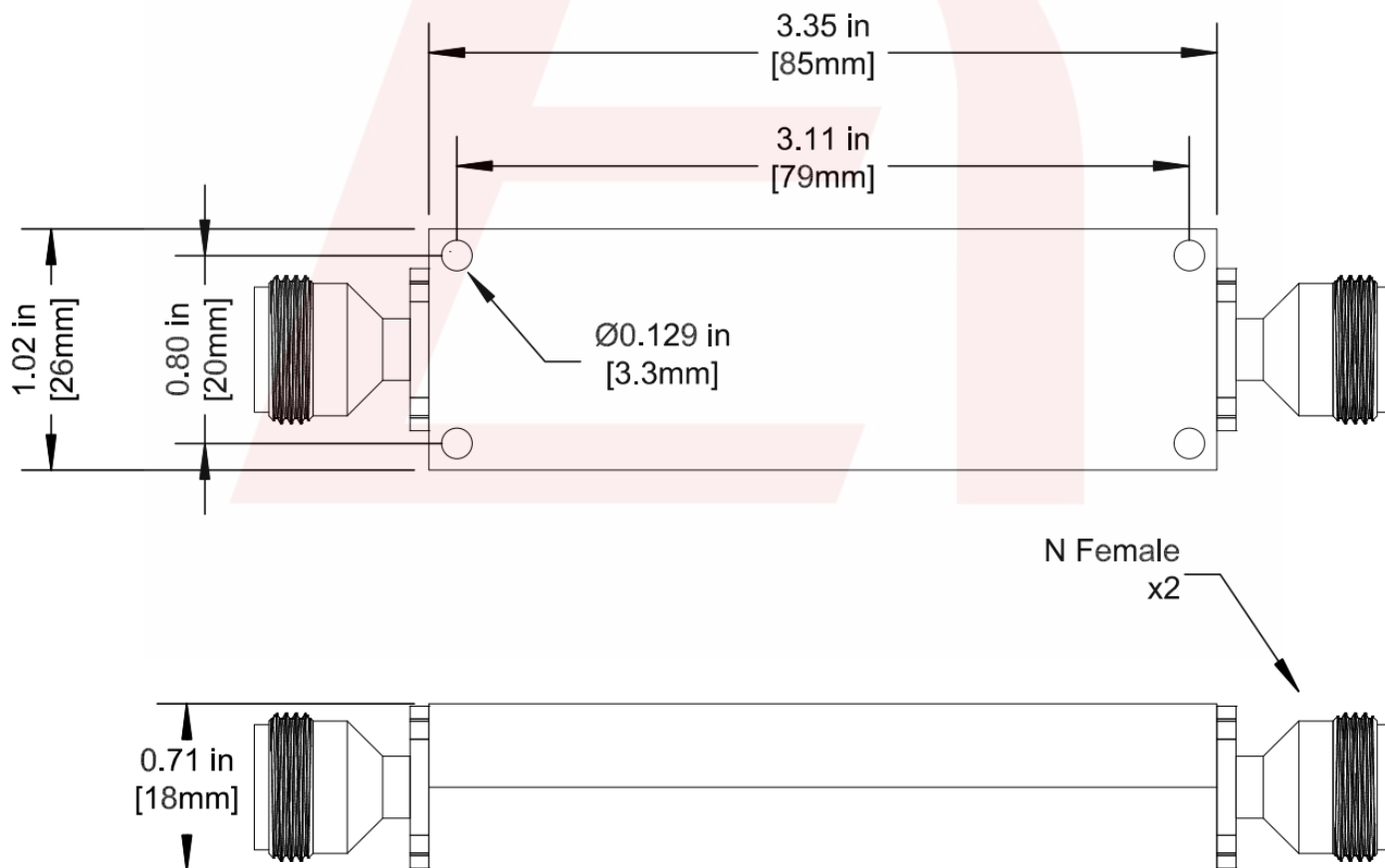
Mechanical

Connector Type: N-Type Female
Dimensions: 3.35 x 1.02 x 0.71 Inches
85 x 26 x 18 mm

Environmental

Operating Temperature: -45 to +85 C
Storage Temperature: -55 to +95° C
Shock: 10 G. 11 ms
Vibration: 10 G. 5 to 200 Hz

Outline Drawing:





Simulation Plot:

