



**ANATECH ELECTRONICS INC**  
RF & Microwave Filters & Products

# 6000 MHz LC Lowpass Filter

Part Number: AE6000LL9342



## Electrical Specifications

**Cut-Off Frequency:** 6000 MHz  
**Passband:** 4000 – 6000 MHz  
**Insertion Loss:** 0.5 dB Max  
**Return Loss:** 10 dB Min  
**Rejection:** 50 dB Min @ 8000 MHz  
50 dB Min @ 24000 MHz  
**Impedance:** 50 Ohms In/Out  
**Power Handling:** 200 W

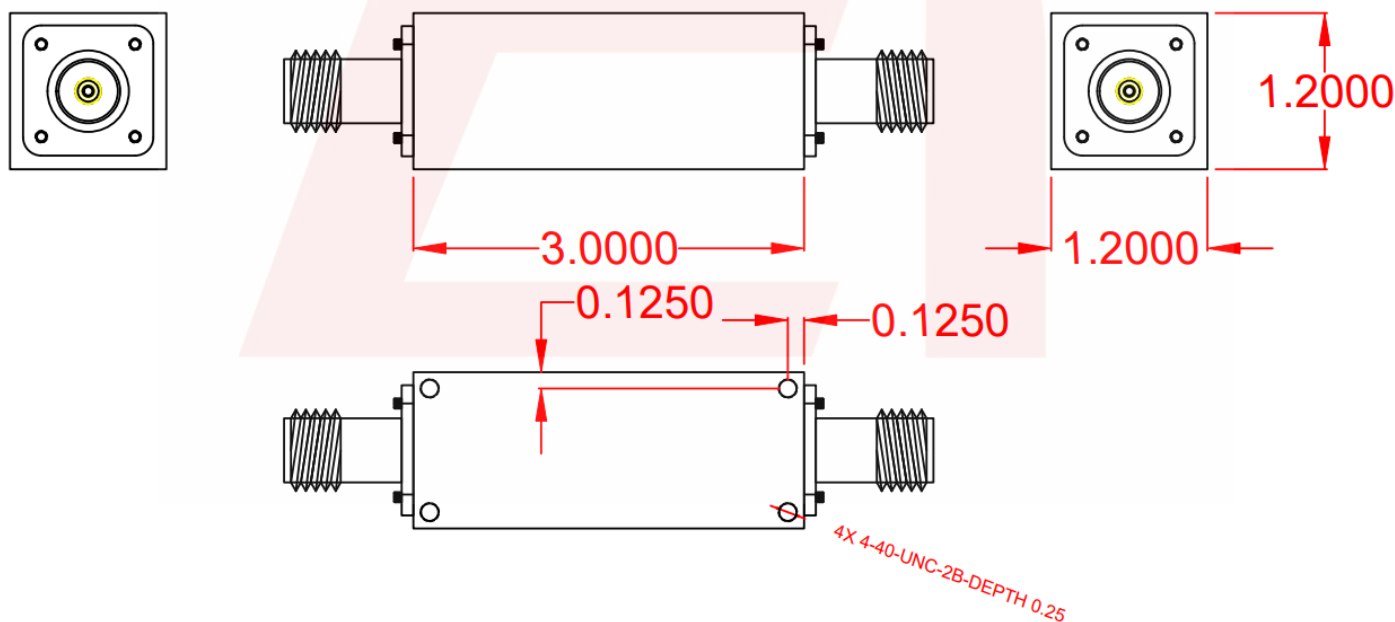
## Mechanical

**Connector Type:** N-Type (F)  
**Dimensions:** 3.0 x 1.20 x 1.20 in.

## Environmental

**Operating Temperature:** -45° C to +85° C  
**Storage Temperature:** -55° C to +95° C  
**Shock:** 10 G.11ms  
**Vibration:** 10 G. 5 to 200Hz

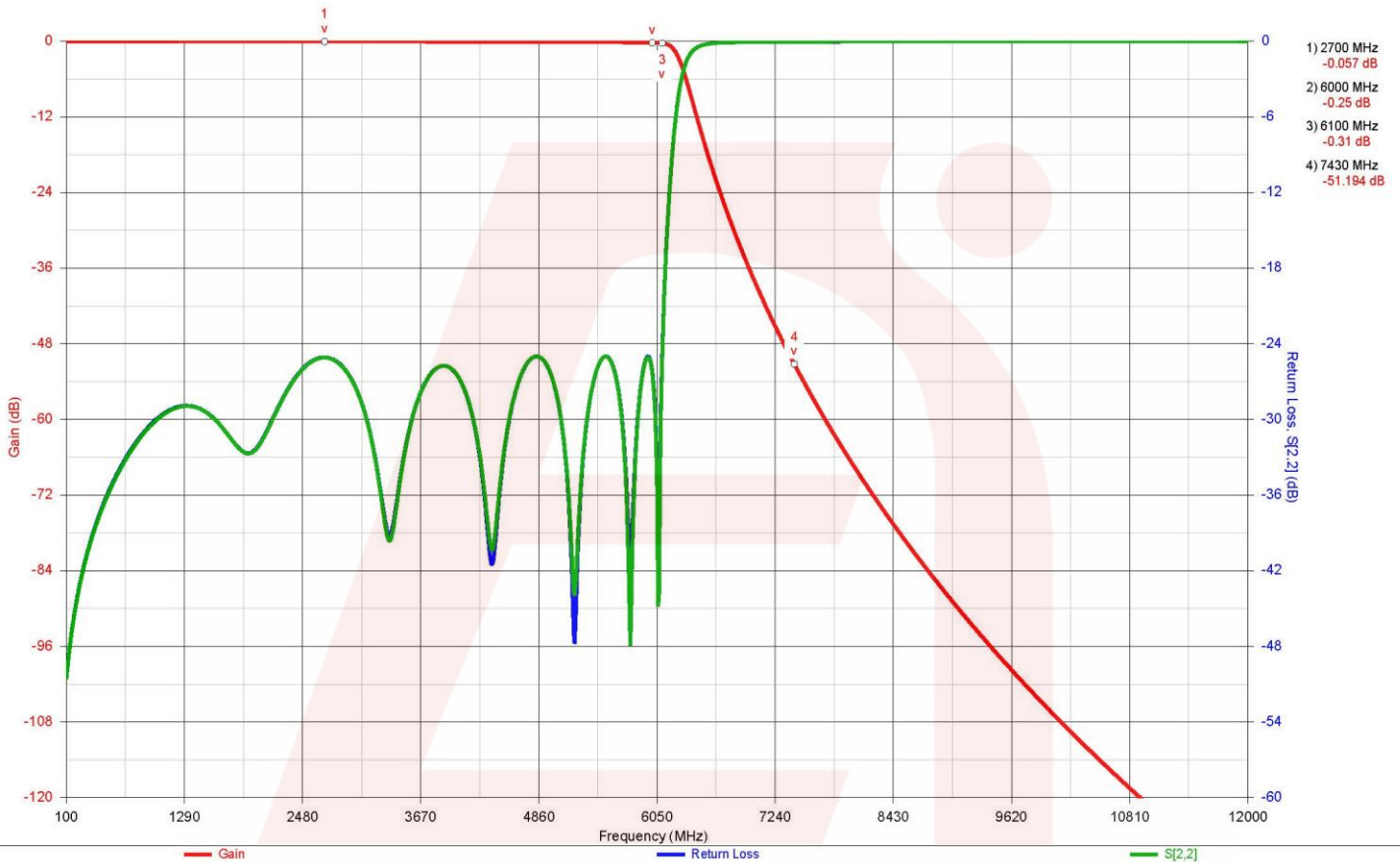
## Outline Drawing:



DS-LL9342-05092024-Rev0



### Simulation Plot:



Note: This is a simulation Plot. Actual response plot might differ.