



# ANATECH ELECTRONICS, INC.

Manufacturer of RF & Microwave Products

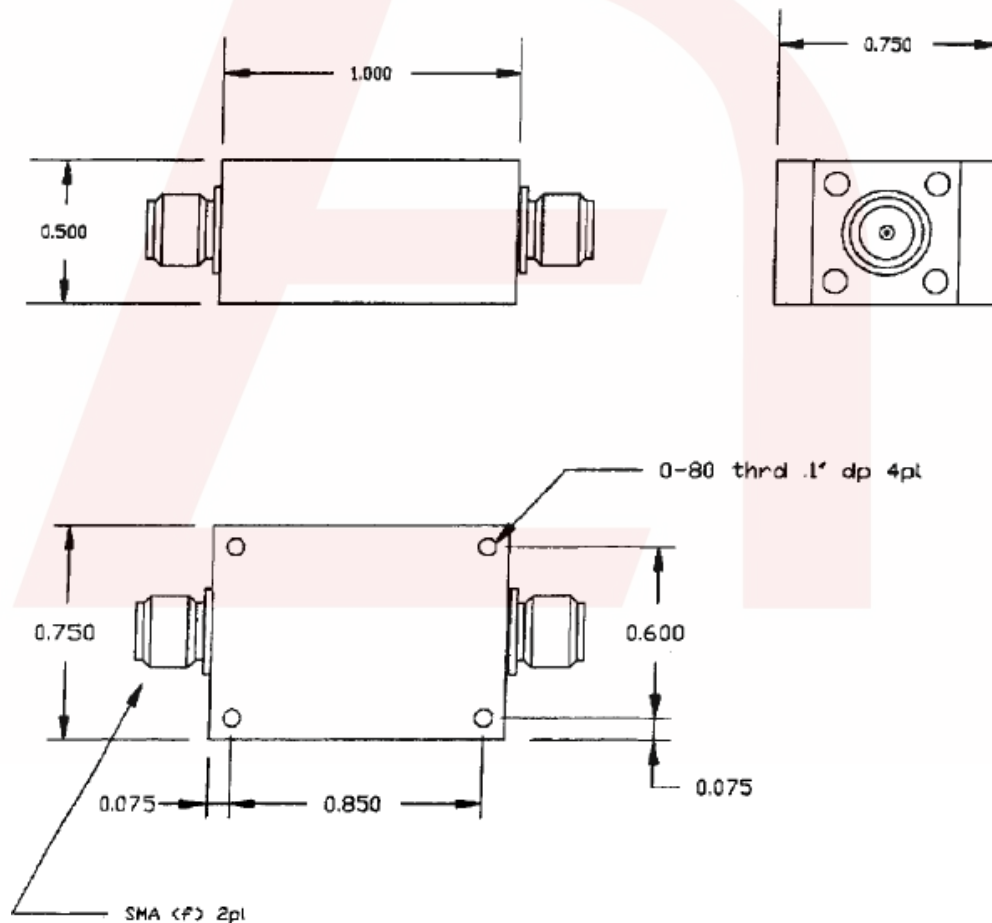


## 2-10 GHz Highpass Filter

Part Number: AE600H9800

Passband:	2-10 GHz
Insertion Loss:	<2dB
Return loss over Passband:	>10dB
Rejection:	30dB @ 0-932 MHz
Connector Type:	SMA (F)
Dimensions:	1 x 0.75 x 0.243 inches

### Outline Drawing:





## Response Plot:

