



**Electrical Specifications**

**Center Frequency:** 610 MHz  
**0.5 dB Bandwidth:** 4 MHz  
**3 dB Bandwidth:** 8 MHz  
**Passband:** 606-614 MHz  
**Insertion Loss @ Fo:** 7.0 dB (Goal 5 dB)Max  
**Ripple:** ±0.2 dB @ 606-614 MHz  
**VSWR:** 1.5:1 Max  
**Phase Linearity:** 3.0° Max @ 606-614 MHz  
**Rejection:** >10 dB @ 595 & 630 MHz  
           >20 dB @ 590 & 640 MHz  
           >30 dB @ 580 & 650 MHz  
           >40 dB @ 570 & 675 MHz  
           >60 dB @ 550 & 700 MHz

**Average Power:** 1 Watt

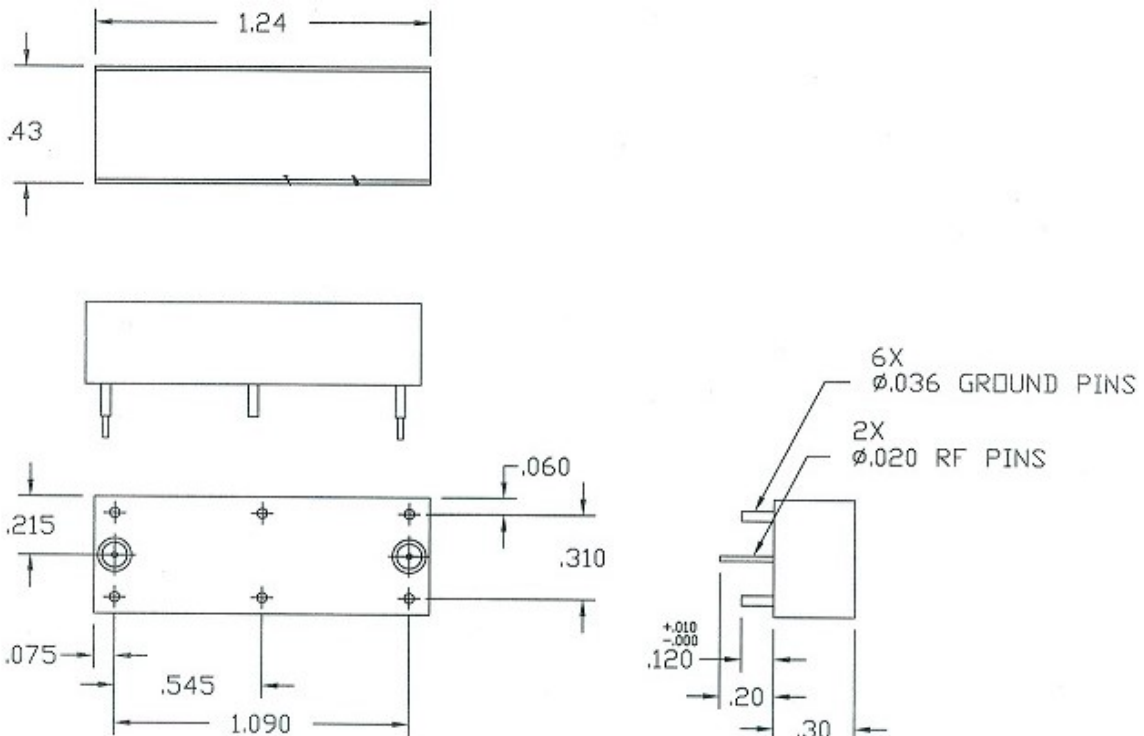
**Mechanical**

**Mounting Method:** PC Mount  
**Dimensions:** 1.24 x 0.43 x 0.3 Inches

**Environmental**

**Operating Temperature:** -20 to +60° C  
**Operating Temperature:** -45 to +85 C

**Outline Drawing:**



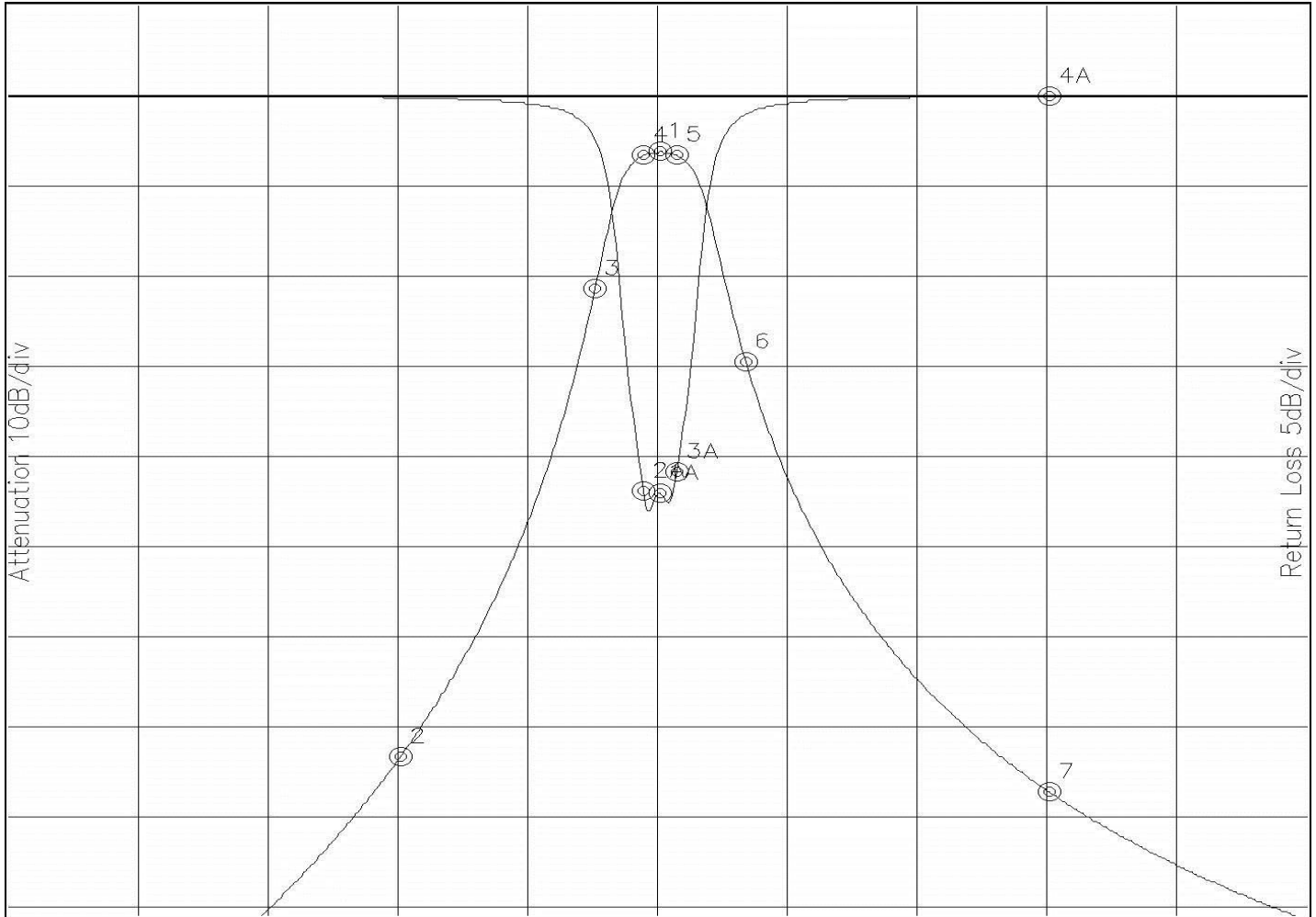


**Response Plot:**

A452.lad

DEC 7, 2014

Attenuation/Return Loss



Attenuation Start: 460.0MHz Stop: 760.0MHz

Return Loss Start: 460.0MHz Stop: 760.0MHz

Marker 1 Freq 610.24MHz Atten -6.187dB  
 Marker 2 Freq 550.14MHz Atten -73.102dB  
 Marker 3 Freq 595.21MHz Atten -21.370dB  
 Marker 4 Freq 606.36MHz Atten -6.584dB  
 Marker 5 Freq 614.12MHz Atten -6.522dB  
 Marker 6 Freq 630.11MHz Atten -29.343dB  
 Marker 7 Freq 700.38MHz Atten -77.019dB

Marker 1A Freq 610.24MHz Ret Loss -21.945dB  
 Marker 2A Freq 606.36MHz Ret Loss -21.900dB  
 Marker 3A Freq 614.12MHz Ret Loss -20.765dB  
 Marker 4A Freq 700.38MHz Ret Loss 0.000dB

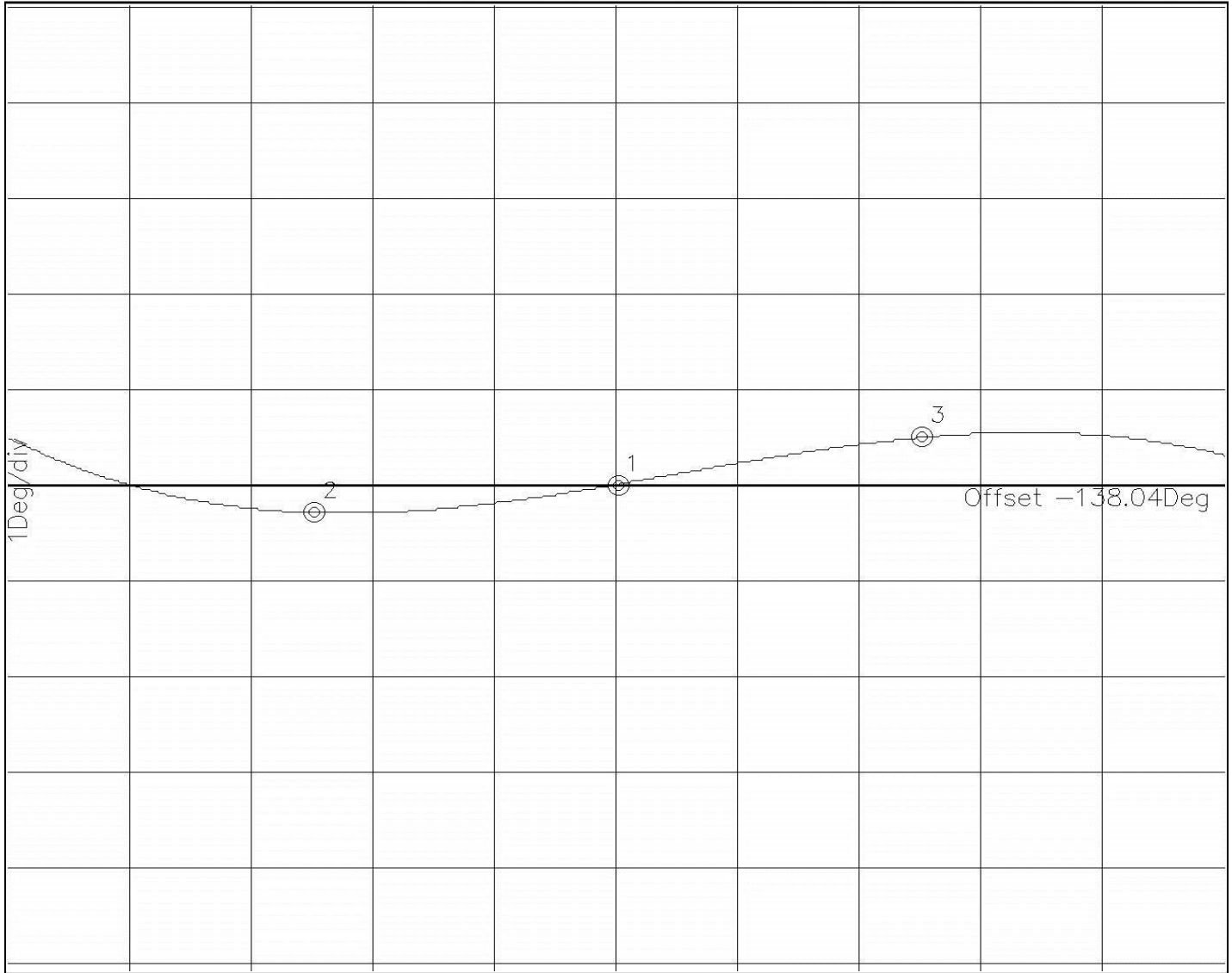


**Phase Linearity:**

A452.lad

DEC 7, 2014

Phase



Phase Start: 606.0MHz Stop: 614.0MHz

Marker 1 Freq 610.00MHz Phase 0.009Deg

Marker 2 Freq 608.00MHz Phase -0.288Deg

Marker 3 Freq 612.01MHz Phase 0.497Deg