



Electrical Specifications

Center Frequency: 650 MHz
Bandwidth: 50 MHz
Passband Frequency (PB): 625 - 675 MHz
Insertion Loss in cF: 1.0 dB Max
Insertion Loss: 2.0 dB Max @ 625 MHz
Insertion Loss: 2.0 dB Max @ 675 MHz
Return Loss in PB: 14 dB Min
Rejection1: 60 dB @ 580 MHz
Rejection2: 60 dB @ 725 – 1500 MHz
Power Handling: 25 W Max
Impedance: 50 Ohm

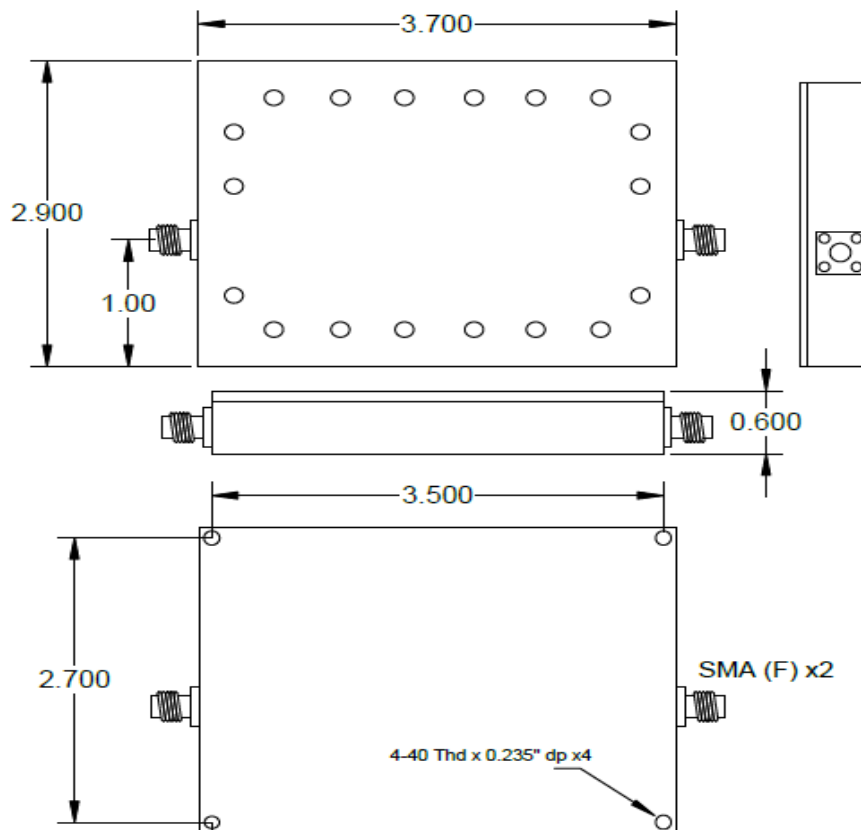
Mechanical

Mounting Method: 4-40 Threaded Holes
Connector Type: SMA(F)
Dimensions: 3.70 x 2.90 x 0.60 inches

Environmental

Operating Temperature: -30 to +60° C
Storage Temperature: -55 to +95 Deg C
Shock: 20G, 11 ms
Vibration: 20G 0.5 to 200 MHz

Outline Drawing:



2 decimal places: +/-0.01 inches [+/-0.3mm]
 3 decimal places: +/-0.005 inches [+/-0.13mm]
 Angles: +/-1 Deg.

When max dimensions are called out the above tolerances do not apply as long as it is under the max call out.

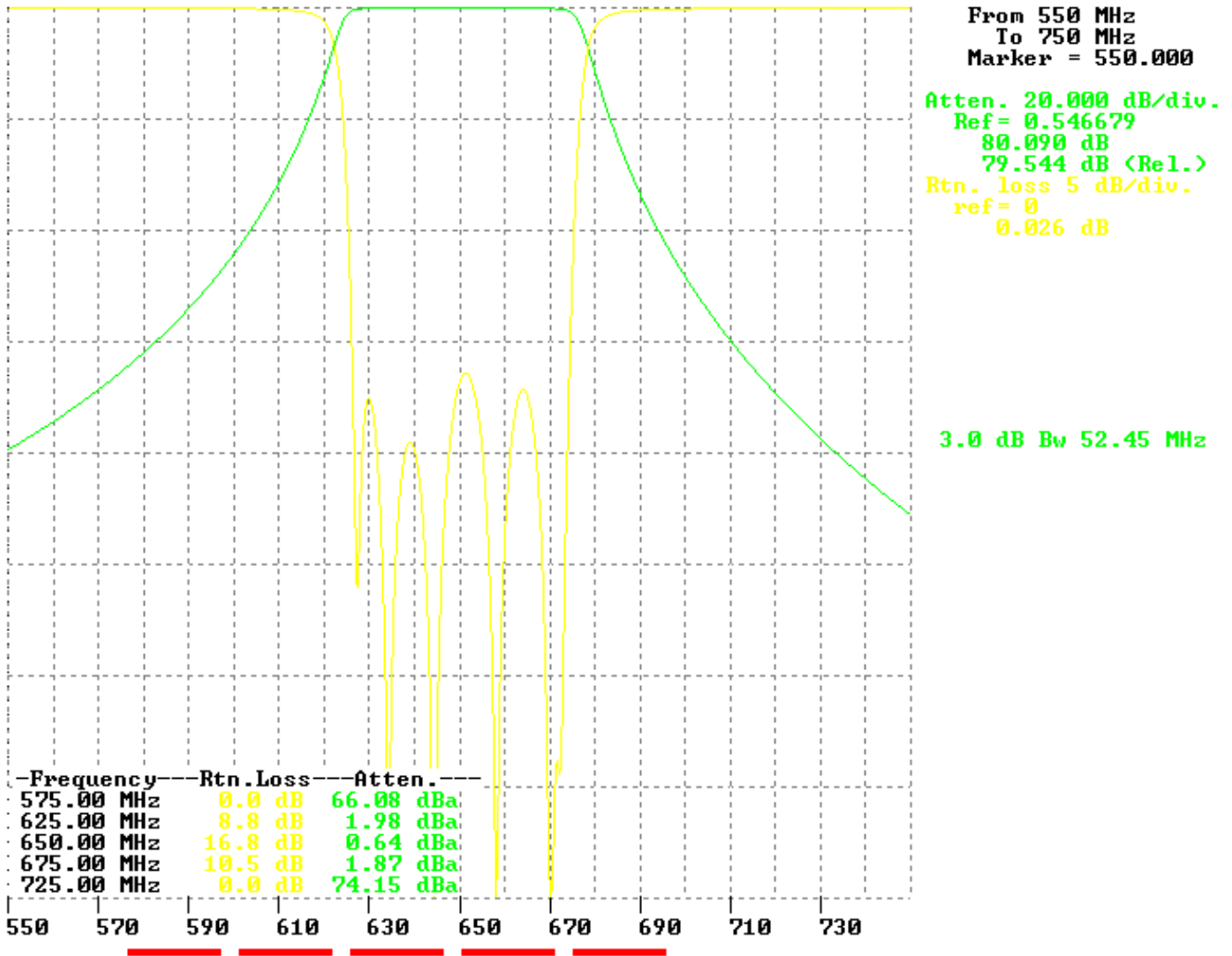


650 MHz Band Pass Filter

Part Number: AE650B11680



Simulation Plot :



This is a simulated response plot actual results might be different.

Note: This is a simulated response plot. Actual performance might differ.