



Electrical Specifications

Center Frequency: 660 MHz
0.5 dB Bandwidth: 4 MHz
3 dB Bandwidth: 8 MHz
Passband: 656-664 MHz
Insertion Loss @ Fo: 7.0 dB (Goal 5.0 dB) Max
Ripple: +/- 0.20 dB @ 656-664 MHz
VSWR: 1.5:1 Max @ 0.5 dB BW
Phase Linearity: +/- 3 deg. Max @ 656-664 MHz
Rejection: >10 dB @ 645 & 680 MHz
 >20 dB @ 640 & 690 MHz
 >30 dB @ 630 & 700 MHz
 >40 dB @ 620 & 725 MHz
 >60 dB @ 600 & 750 MHz

Average Power: 1 Watt

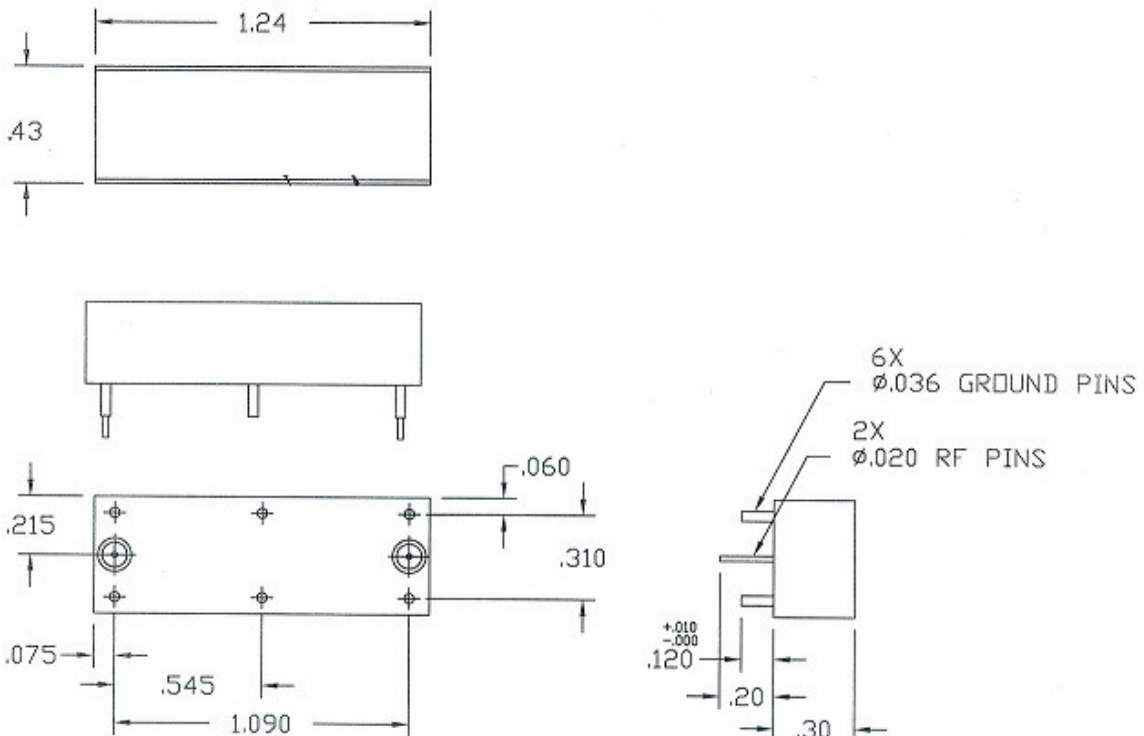
Mechanical

Mounting Method: PC Mount
Dimensions: 1.24 x 0.43 x 0.3 Inches

Environmental

Operating Temperature: -20 to +60° C
Operating Temperature: -45 to +85 C

Outline Drawing:





660 MHz Bandpass Filter

Part Number: AE660B11810

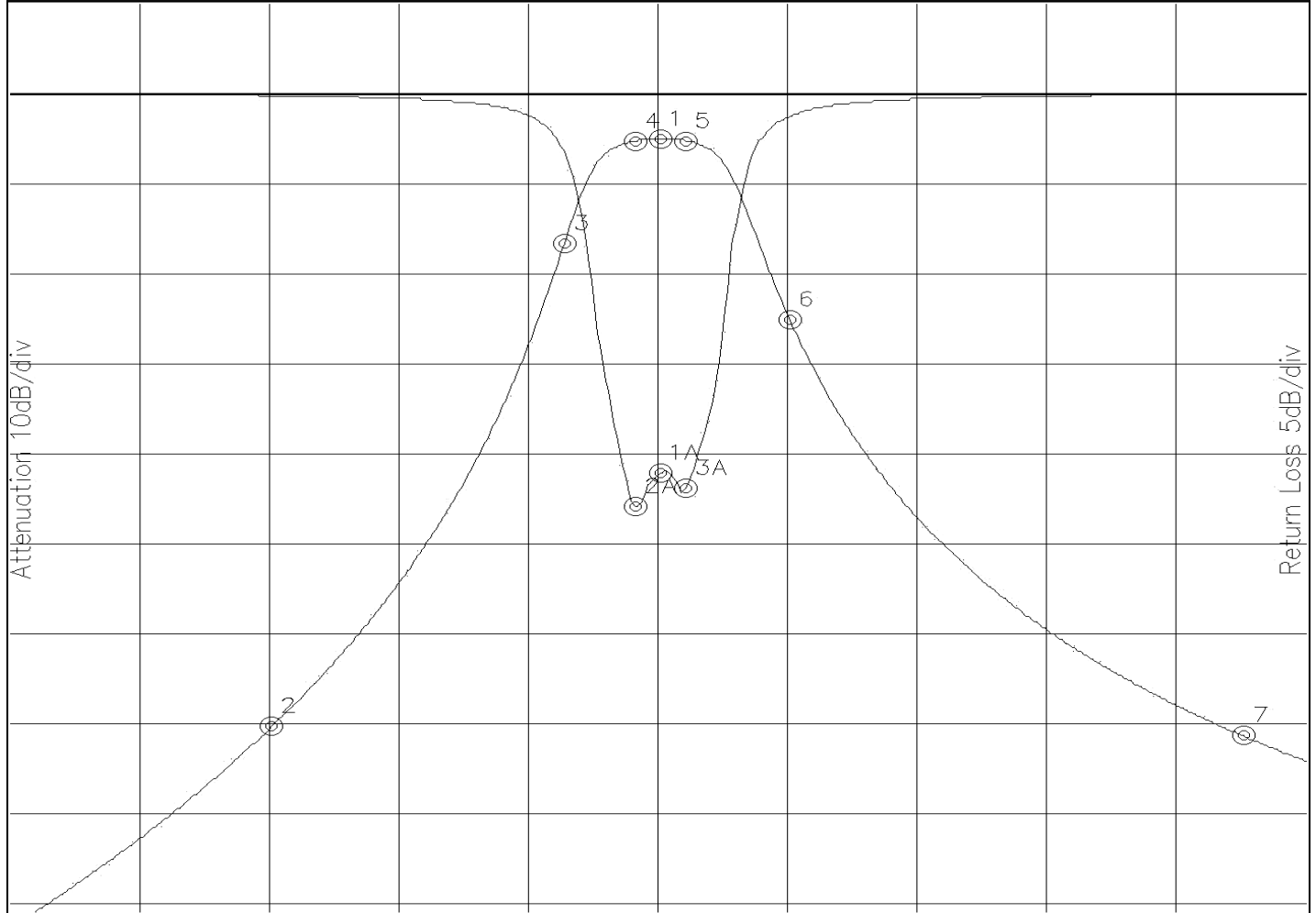


Response Plot:

A450.lad

DEC 4, 2014

Attenuation/Return Loss



Attenuation Start: 560.0MHz Stop: 760.0MHz

Return Loss Start: 560.0MHz Stop: 760.0MHz

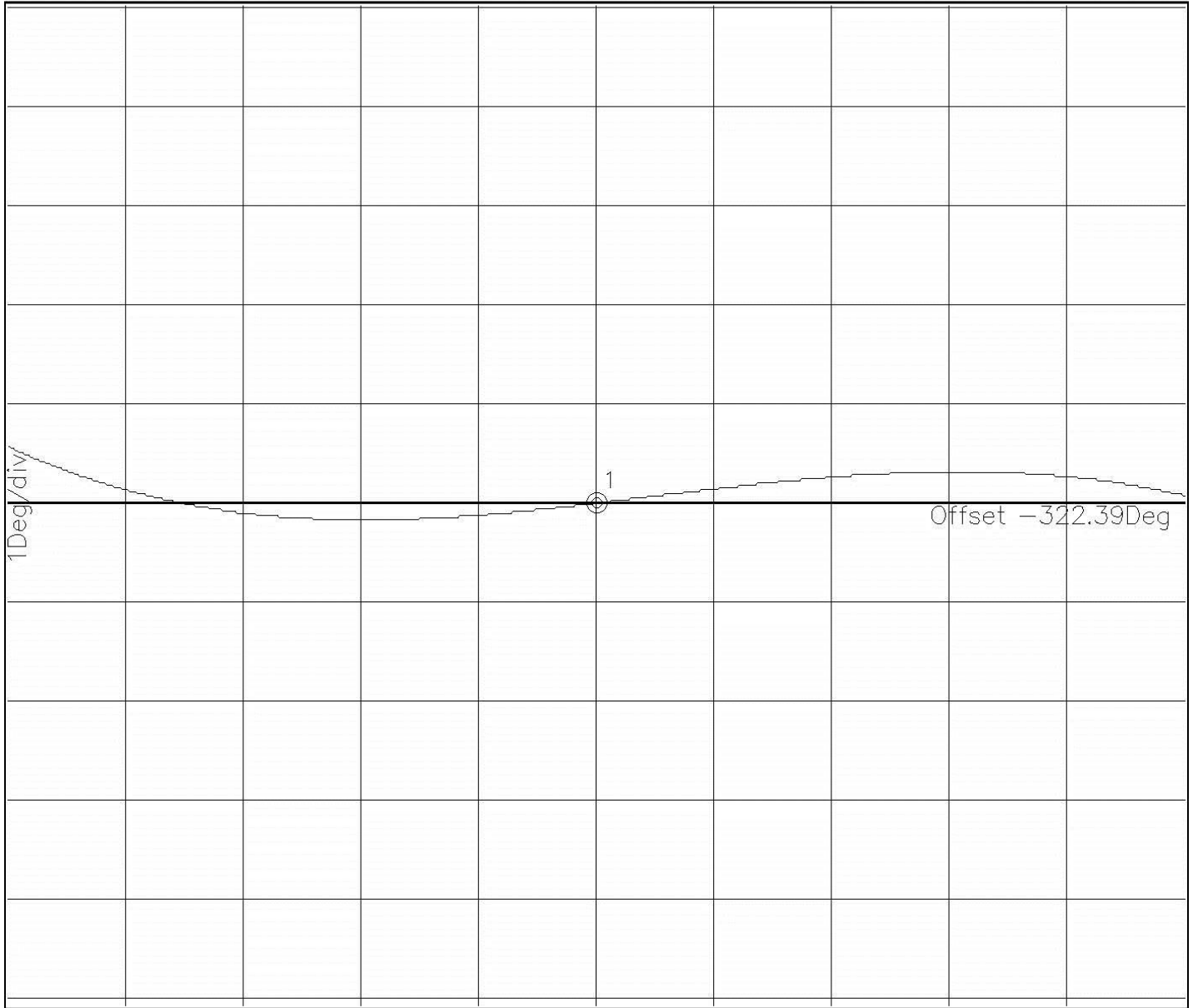
Marker 1 Freq 660.16MHz Atten -4.914dB
 Marker 2 Freq 600.06MHz Atten -70.106dB
 Marker 3 Freq 645.29MHz Atten -16.453dB
 Marker 4 Freq 656.28MHz Atten -5.171dB
 Marker 5 Freq 664.03MHz Atten -5.117dB
 Marker 6 Freq 680.19MHz Atten -25.040dB
 Marker 7 Freq 750.30MHz Atten -71.149dB

Marker 1A Freq 660.16MHz Ret Loss -21.032dB
 Marker 2A Freq 656.28MHz Ret Loss -22.774dB
 Marker 3A Freq 664.03MHz Ret Loss -21.815dB



Phase Linearity:

A450.lad DEC 4, 2014 Phase



Phase Start: 656.0MHz Stop: 664.0MHz
Marker 1 Freq 659.99MHz Phase -0.007Deg