



# 650-670 MHz Cavity Bandpass Filter

Part Number: AE660B11885



**ANATECH ELECTRONICS INC**  
RF & Microwave Filters & Products

## Electrical Specifications

**Passband:** 650-670 MHz  
**Passband Insertion Loss:** ≤ 2 dB  
**Passband Return Loss:** ≥15 dB  
**Rejection 1:** ≥40 dB @ 642 MHz  
**Power Handling:** 30 W  
**Input / Output Impedance:** 50 Ohms

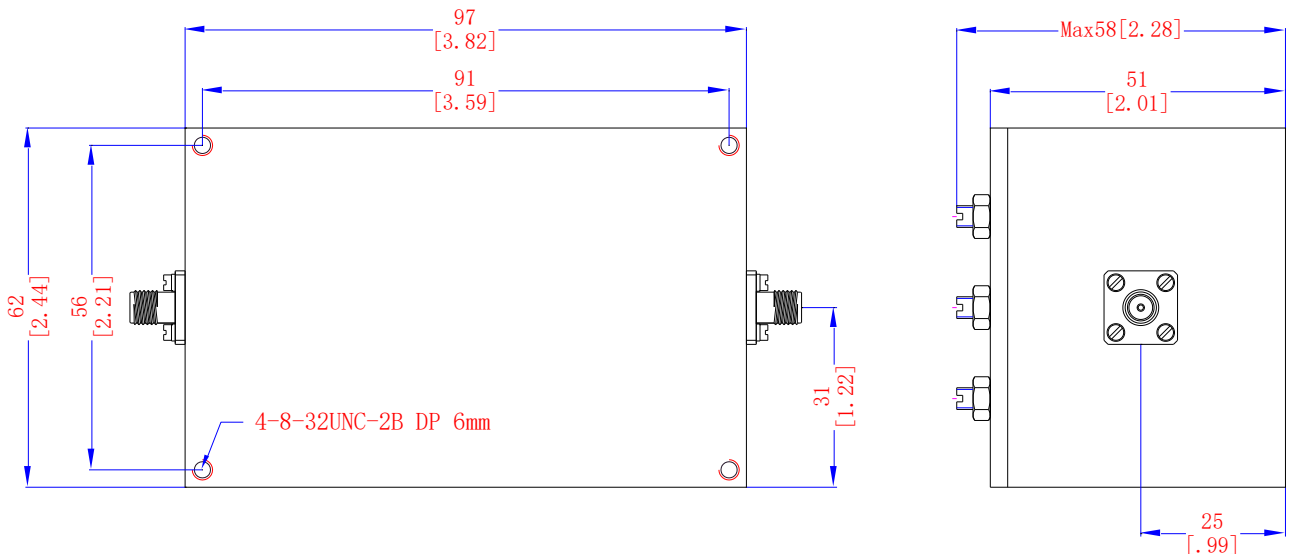
## Mechanical

**Connectors:** SMA (F)  
**Dimensions:** 3.82" x 2.44" x 2.28"  
97 x 62 x 58 (Max) mm

## Environmental

**Operating Temperature:** -50 to +85 deg. C  
**Storage Temperature:** -65 to +95 deg. C  
**Shock:** 20 G's, 10-2000Hz  
**Vibration:** 10 G's, 10-2000Hz  
**Relative Humidity:** 0-95%

## Outline Drawing:



Tolerance: +/-0.01 inches [ +/-0.3mm]

Angles: +/-1 Deg.

\*Tolerance as shown unless otherwise specified in the datasheet electrical specification tables above.

\*When max dimensions are called out the above tolerances do not apply as long as it is under the max call out.

**Note:** For the 0.99 inches Height requirement, this is a Maximum measurement specification.

**70 Outwater Lane Phone: (973) 772-4242**  
**Garfield, NJ 07026 Fax : (973) 321-3941**

Reference ECN: E072419-01A

**Email: [sales@anatechelectronics.com](mailto:sales@anatechelectronics.com)**  
**Web: [www.anatechelectronics.com](http://www.anatechelectronics.com)**



**ANATECH ELECTRONICS INC**  
RF & Microwave Filters & Products

# 650-670 MHz Cavity Bandpass Filter

**Part Number: AE660B11885**



## Simulated Response Plot:

