



Electrical Specifications

Center Frequency: 668 MHz
Bandwidth: 60 MHz
Pass Band: 638-698 MHz Flatness <3 dB
Insertion Loss: 1.0 dB Max at 668 MHz
Return Loss: 14 dB Min at 650-685 MHz
Rejection: >50 dB @ 0-568 MHz
 >50 dB @ 768-2000 MHz

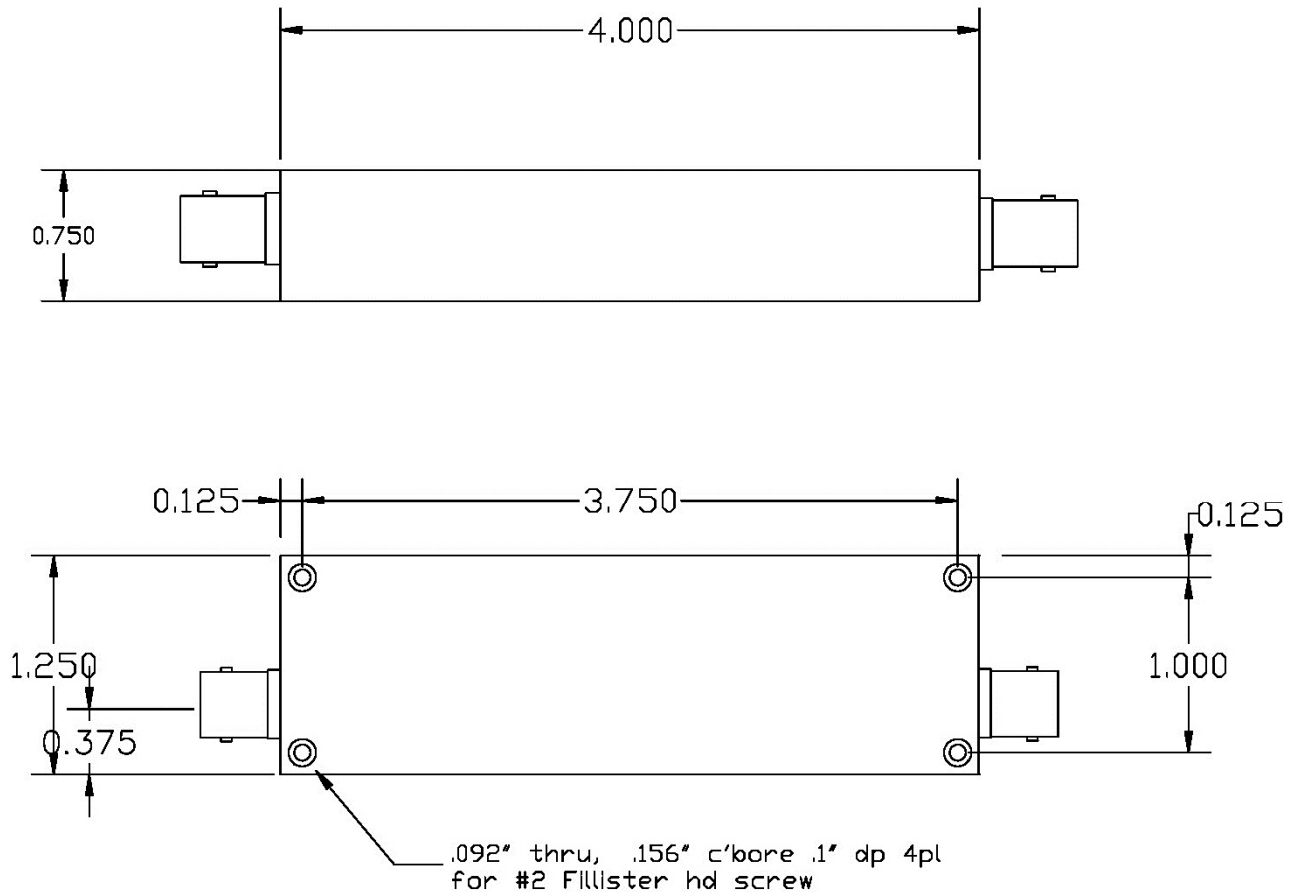
Mechanical

Connector Type: BNC (F)
Dimensions: 4.0 x 1.25 x 0.75 Inches

Environmental

Operating Temperature: -40 to +85° C
Storage Temperature: -50 to +95° C

Outline Drawing:



Connector Type: BNC (F) 2 Pl