



ANATECH ELECTRONICS INC
RF & Microwave Filters & Products

70 MHz LC Band Pass Filter

Part Number: AE70B9454



Electrical Specifications

Center Frequency: 70 MHz
3dB Bandwidth: 65 – 75 MHz
Insertion Loss @ Fo: 2 dB Max
Return Loss @ 67 – 73 MHz: 14 dB Min
Rejection: 35 dB Min @ 0 – 45 MHz
 75 dB Min @ 99 – 101 MHz
 35 dB Min @ 102 – 500 MHz
Impedance: 50 Ohms In/Out

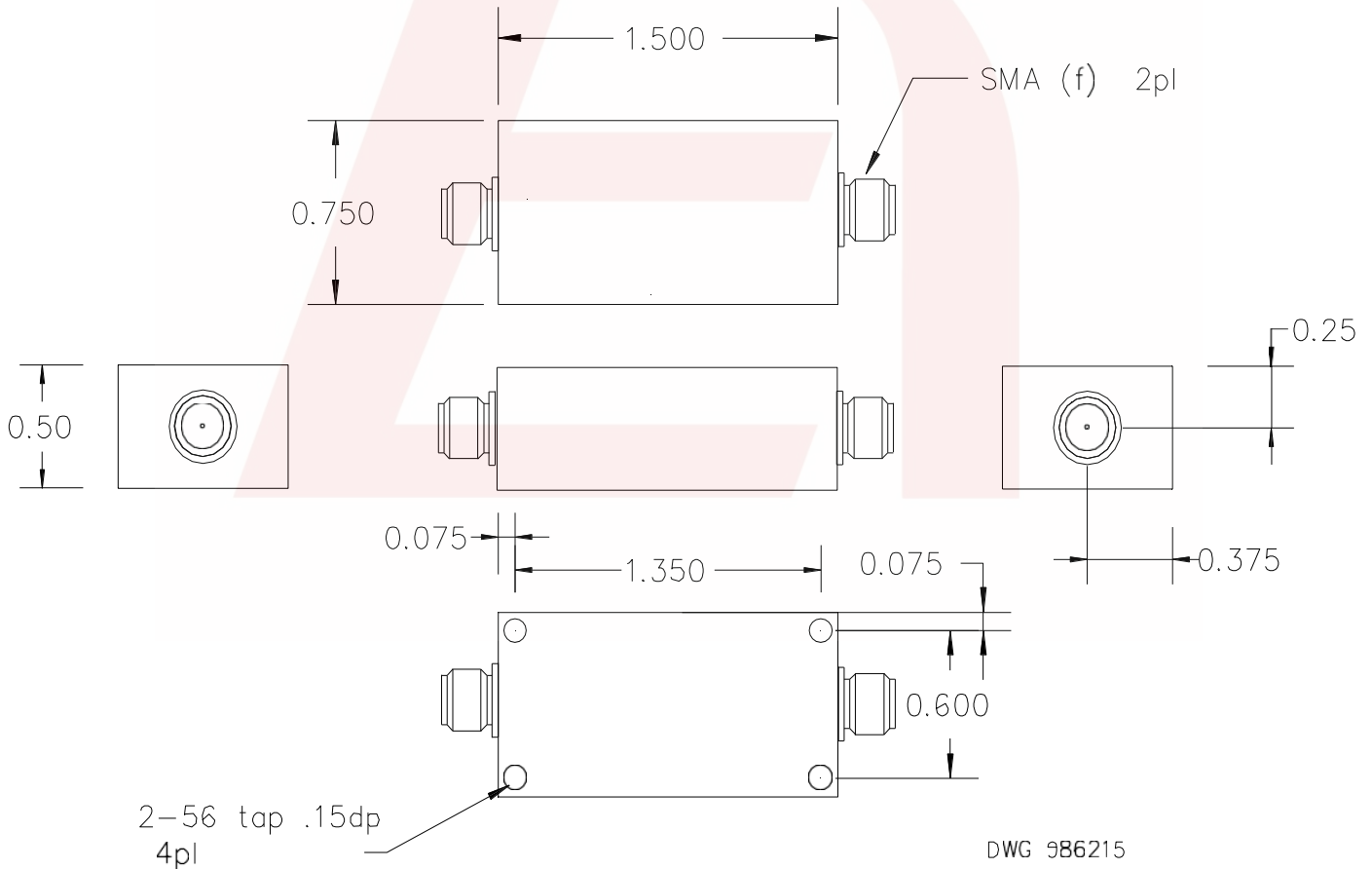
Mechanical

Connector Type: SMA, Receptacle, Panel Mount
Dimensions: 1.5 x 0.75 x 0.5 in.

Environmental

Operating Temperature: -25°C to +70°C
Storage Temperature: -75°C to +90°C
Shock: 10 G. 11ms
Vibration: 10 G. 5 to 200Hz

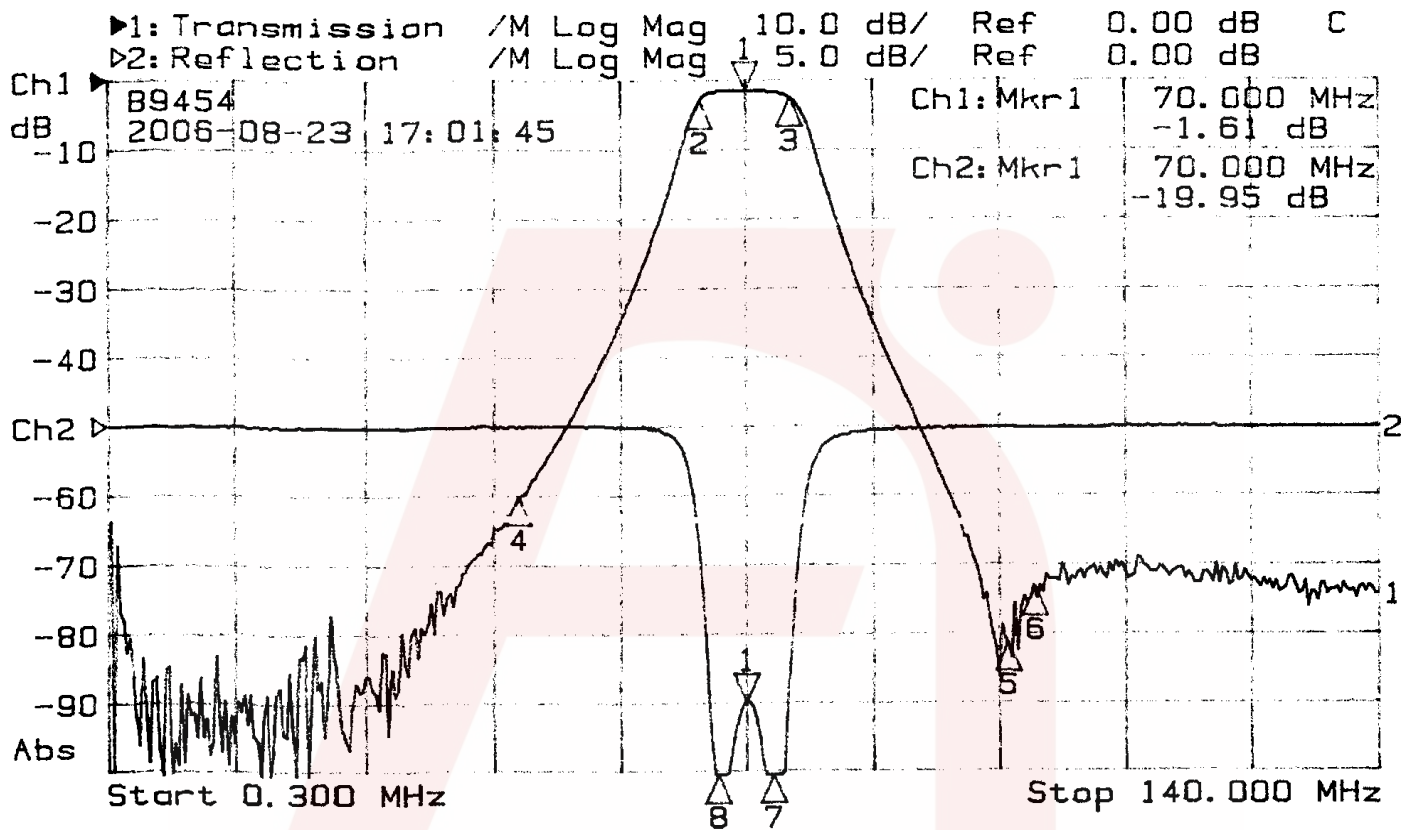
Outline Drawing:



DS-B9454-02092015-Rev0



Plot:



1: Mkr (MHz)	dB	2: Mkr (MHz)	dB
1> 70.00	-1.61	1> 70.00	-19.95
2: 65.00	-3.07		
3: 75.00	-2.68		
4: 45.00	-60.43		
5: 99.00	-81.53		
6: 102.00	-73.54		
		7: 73.00	-39.59
		8: 67.00	-26.93