



Electrical specifications

Center Frequency: 70 MHz
Bandwidth: 40 MHz
Passband: 50 – 90 MHz
Insertion Loss @ 70 MHz: 1.0 dB Max
Insertion loss Flatness: 1.0 dB Max
VSWR: 1.5:1 Max
Rejection: 30 dB Min @ 40 & 100 MHz
Impedance: 50 Ohms In/Out
Power Handling: 1 W CW

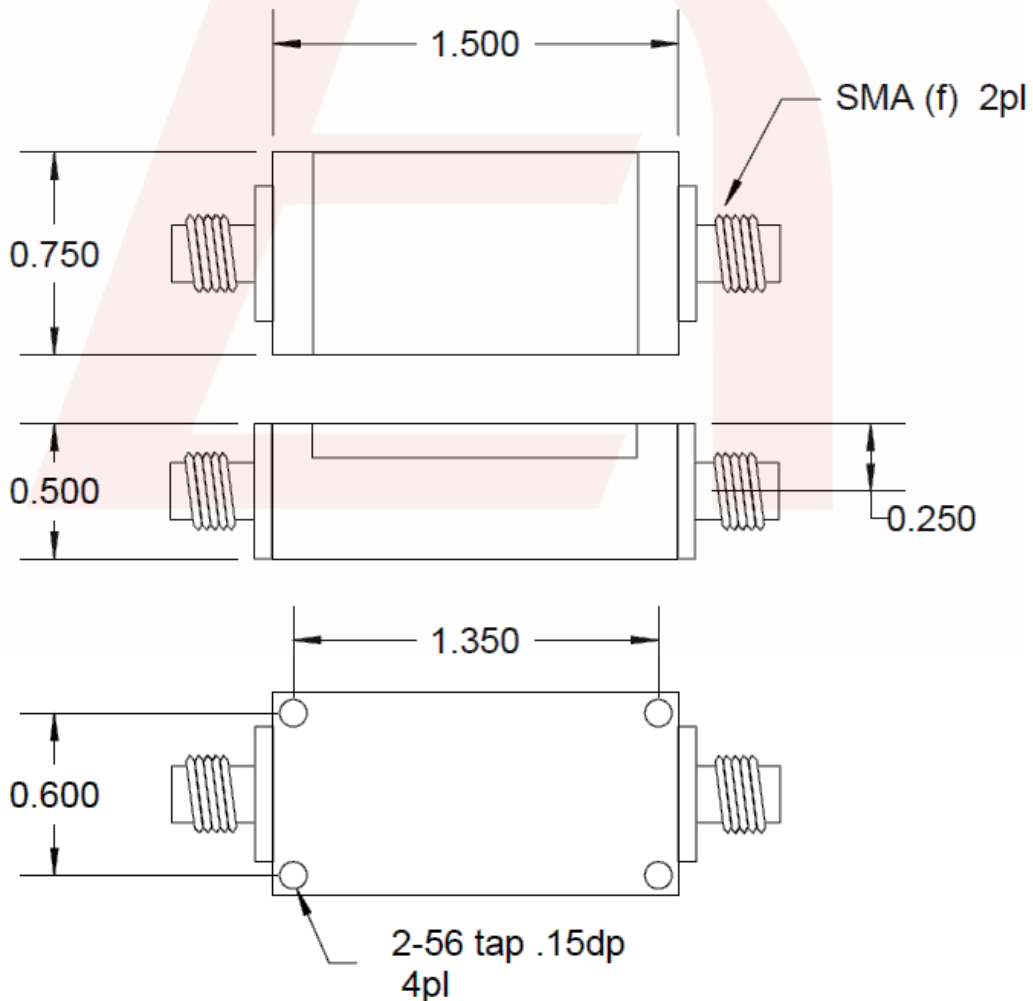
Mechanical

Connector Type: SMA Female
Dimensions: 1.5 x 0.75 x 0.5 in.

Environmental

Operating Temperature: -40 to +85° C
Storage Temperature: -45 to +85° C
Shock: 20 G. 11ms
Vibration: 20 G. 5 to 200 Hz

Outline Drawing:

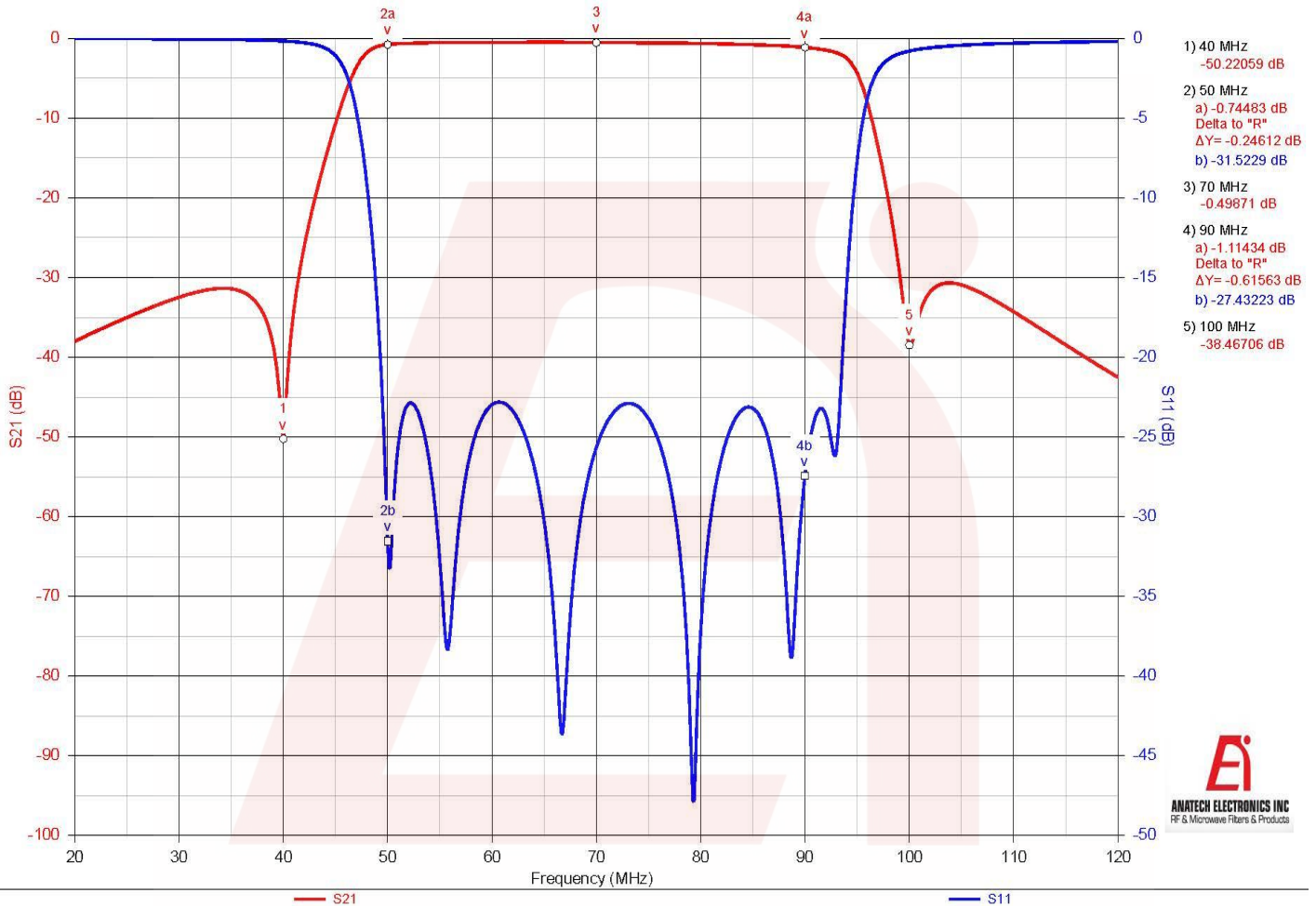


DS-B12065-12072023-Rev0



Simulation Plot:

OP4608 70 MHz BPF



Note: This is a simulation Plot. Actual response plot might differ once product is manufactured.