



7.5-18 GHz Highpass Filter

Part Number: AE7500H9819

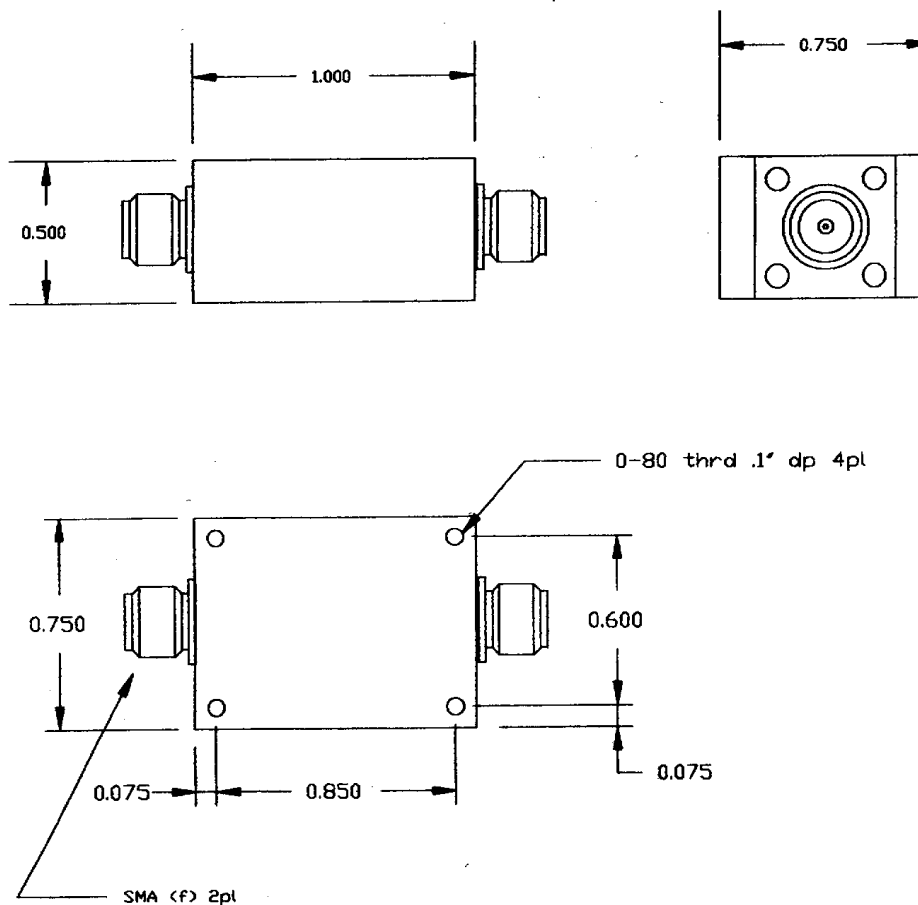
Passband: 7.5-18 GHz

Insertion Loss: <1dB

Return Loss: >10dB over Passband

Rejection: >35dB @ 0-2500MHz

Outline Drawing:





ANATECH ELECTRONICS, INC.

Manufacturer of RF & Microwave Filters and Products



7.5-18 GHz Highpass Filter

Part Number: AE7500H9819

Response Plot:

