



# 834 MHz Outdoor Cavity Band Pass Filter

## Part Number: AE834B11339



**ANATECH ELECTRONICS INC**  
RF & Microwave Filters & Products

### Electrical Specifications

- Center Frequency:** 834 MHz
- Pass Band:** 809-859 MHz
- Pass Band Ins. Loss:**  $\leq 1\text{dB}@809-857\text{ MHz}$   
 $\leq 1.5\text{dB}@857-859\text{ MHz}$
- Rejection:**  $>30\text{dB}@862\text{MHz}$   
 $>30\text{dB} >862\text{MHz}$
- Return Loss in Passband:**  $\geq 15\text{ dB}$
- Power Handling:** 50 W Max

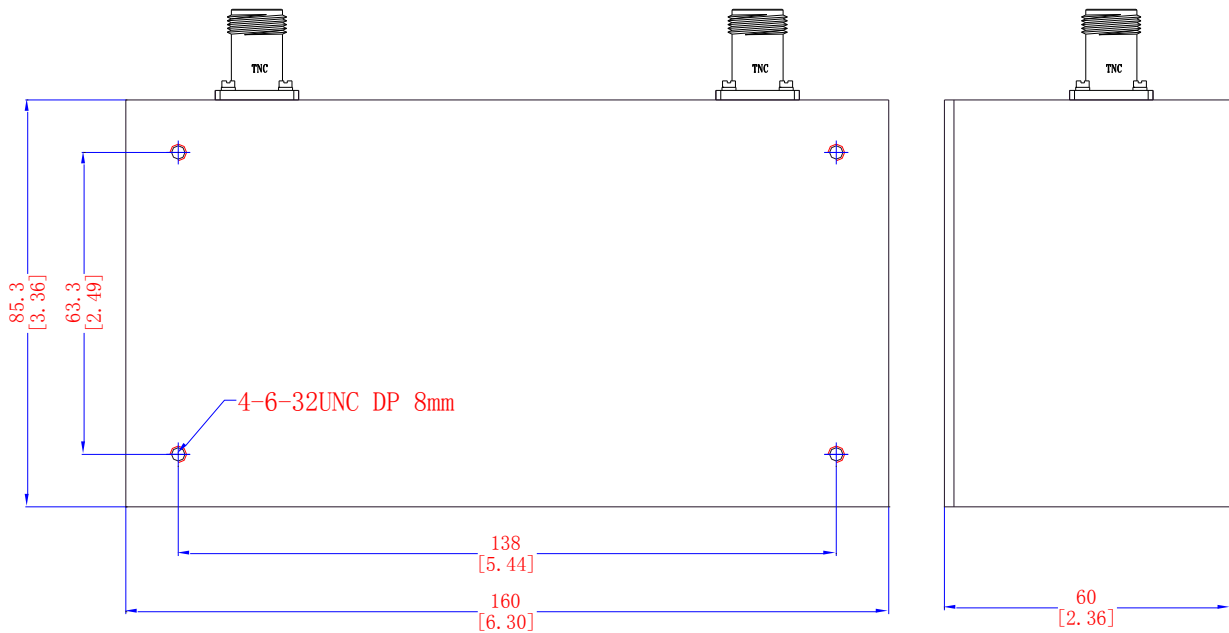
### Mechanical

- Connector Type:** TNC(F)
- Dimensions:** 6.30 x 3.36 x 2.36 inches

### Environmental

- Operating Temp:** -40 to +80° C
- Non-Operating Temp:** -40 to +80° C
- Non-Operating Altitude:** Up to 40,000 ft.
- Operating Altitude:** Up to 15,000 ft.
- Vibration:** MIL-STD-167, up to 25 Hz
- Shock Operating:** 30G, 11ms
- Weatherproof:** IP67

### Outline Drawing:





# 834 MHz Cavity Band Pass Filter

Part Number: AE834B11338



## Simulated response plot

