



ANATECH ELECTRONICS INC
RF & Microwave Filters & Products

902 MHz ISM Cavity Notch Filter

Part Number: **AE902N2246**



Electrical Specifications

Notch Center Frequency: 902 MHz
Notch Frequency range: 892-912MHz
Notch Rejection: ≥ 40 dB
Passband low side of Notch: DC-882 MHz
Passband High side of Notch: 922-2700 MHz
Insertion loss in Passband: ≤ 0.75 dB
Return Loss in Passband: ≥ 14 dB
Input/output Impedance: 50 Ohms
Power Handling: 75 Watts Max.

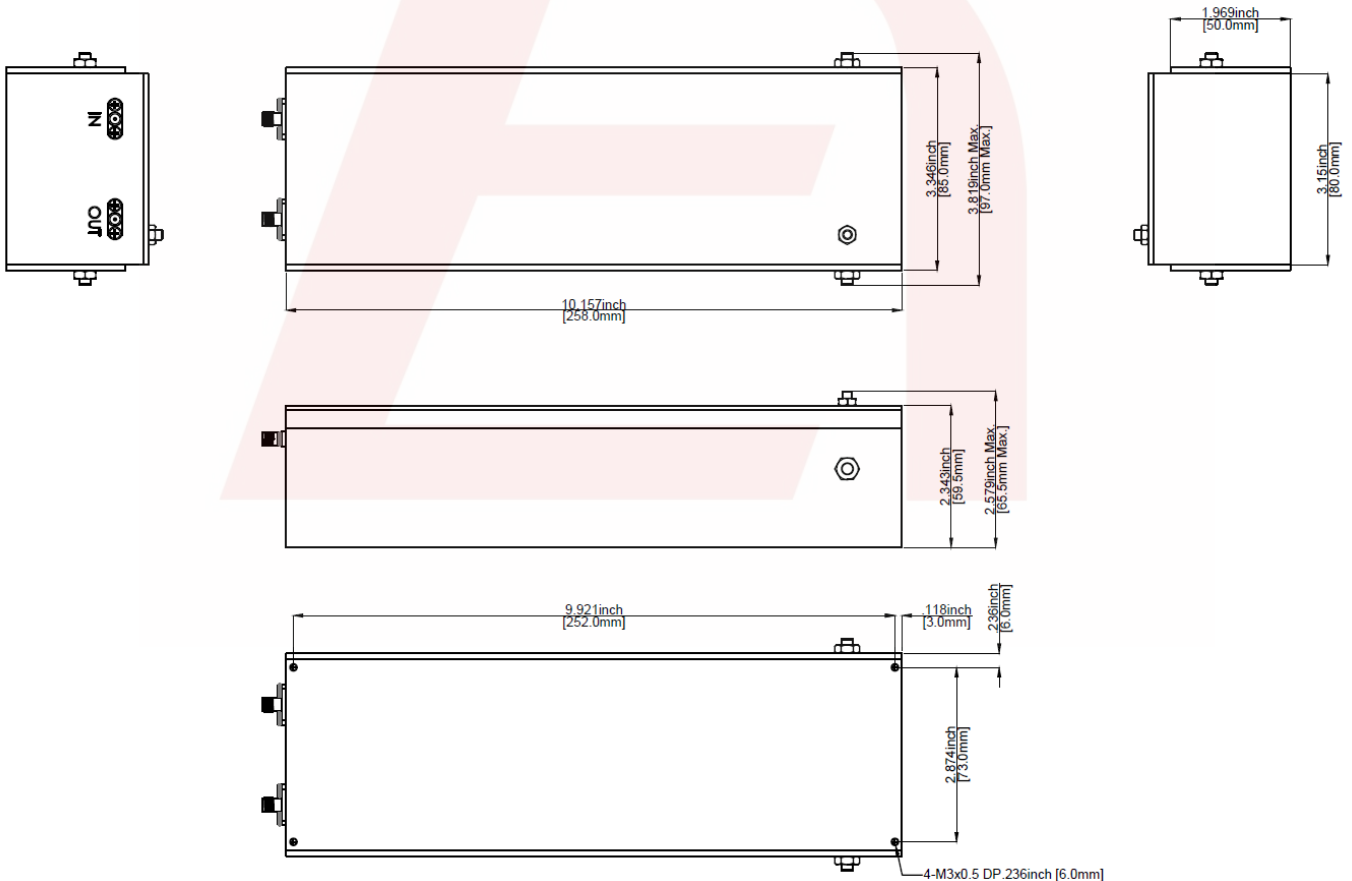
Mechanical

Mounting Method: Threaded Holes
Connector Type: SMA(F)
Dimensions: 258 X 85 X 59.5 mm.
Dimensions: 10.15 X 3.35 X 2.35 in.

Environmental

Operating Temperature: -20°C to $+70^{\circ}\text{C}$
Storage Temperature: -40°C to $+85^{\circ}\text{C}$
Shock: 20 G. 11ms
Vibration: 20 G. 5 to 200Hz

Outline Drawing:



Tolerance: +/-0.01 inches [+/- 0.3mm]

Angles: +/- 1 Deg.

*Tolerance as shown unless otherwise specified in the datasheet electrical specification tables above.

*When max dimensions are called out the above tolerances do not apply as long as it is under the max call out.

DS-N2246-07102020-Rev0

70 Outwater Lane Phone: (973) 772-4242
Garfield, NJ 07026 Fax : (973) 321-3941

Email: sales@anatechelectronics.com
Web: www.anatechelectronics.com



Response Plot:

