



ANATECH ELECTRONICS INC
RF & Microwave Filters & Products

9100 MHz Cavity Bandpass Filter

Part Number: AE9100B9470



Electrical specifications

Center Frequency: 9100 MHz
Bandwidth: 250 MHz
Input / Output Impedance: 50 Ohms
Passband: 8975-9225 MHz
Passband Insertion Loss: <2dB
Passband Ripple: <0.2 dB
Passband Return Loss: >14 dB
Rejection: @ 0-8342 MHz >70 dB
Rejection 2: @ 9858-20000 >70 dB
Power Handling: 30 W

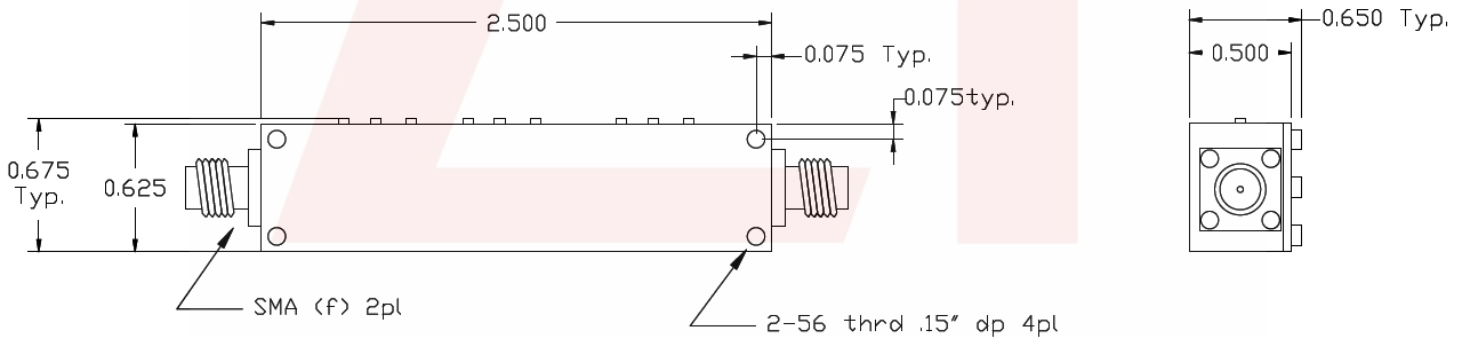
Mechanical

Mounting Method: Panel Receptacle, 2 hole
Connector Type: SMA (F)
Dimensions: 2.5" x 0.675" x 0.65"

Environmental

Operating Temperature: -45 to +85 deg.C
Storage Temperature: -55 to +95 deg.C
Shock: 20 G. 11ms
Vibration: 20 G. 5 to 200 MHz

Outline Drawing:



DS-B9470-02092015-Rev0



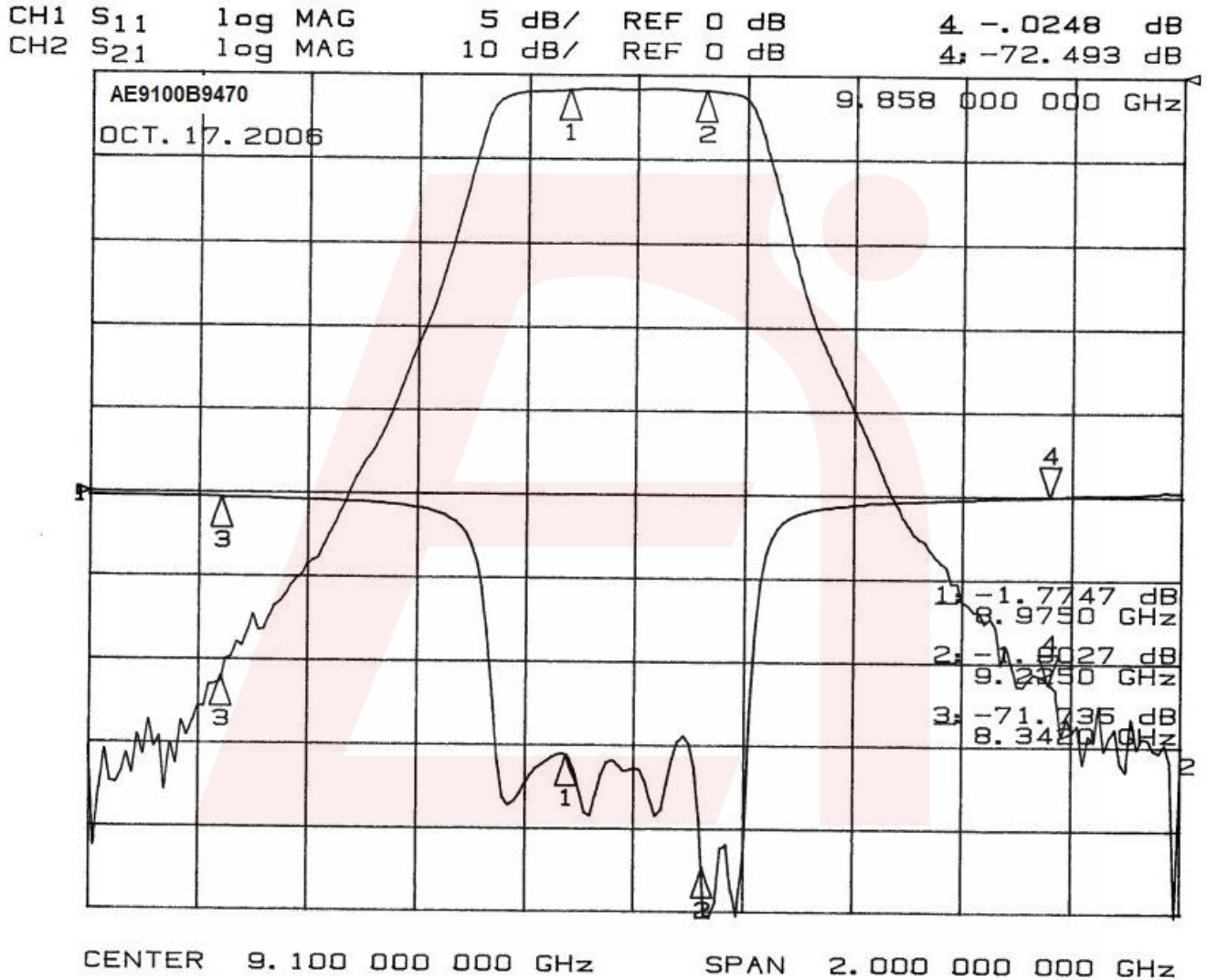
9100 MHz Cavity Bandpass Filter

Part Number: AE9100B9470



ANATECH ELECTRONICS INC
RF & Microwave Filters & Products

Response Plot:



DS-B9470-02092015-Rev0