



# ISM band Outdoor Band Pass Filter



**ANATECH ELECTRONICS INC**  
RF & Microwave Filters & Products

**Part Number: AE924B11660-NF-O**

## Electrical specifications

**Center Frequency:** 924.1MHz  
**1 dB Passband:** 921.2-927 MHz  
**Insertion Loss @ 924.1 MHz :** ≤1.5dB  
**Return Loss:** ≥16dB  
**Rejection:** 75 dB Min. @ CF±20MHz  
**Input / Output Impedance:** 50 Ohms  
**Power Handling:** 20W

**Surface Finish:** White Painted

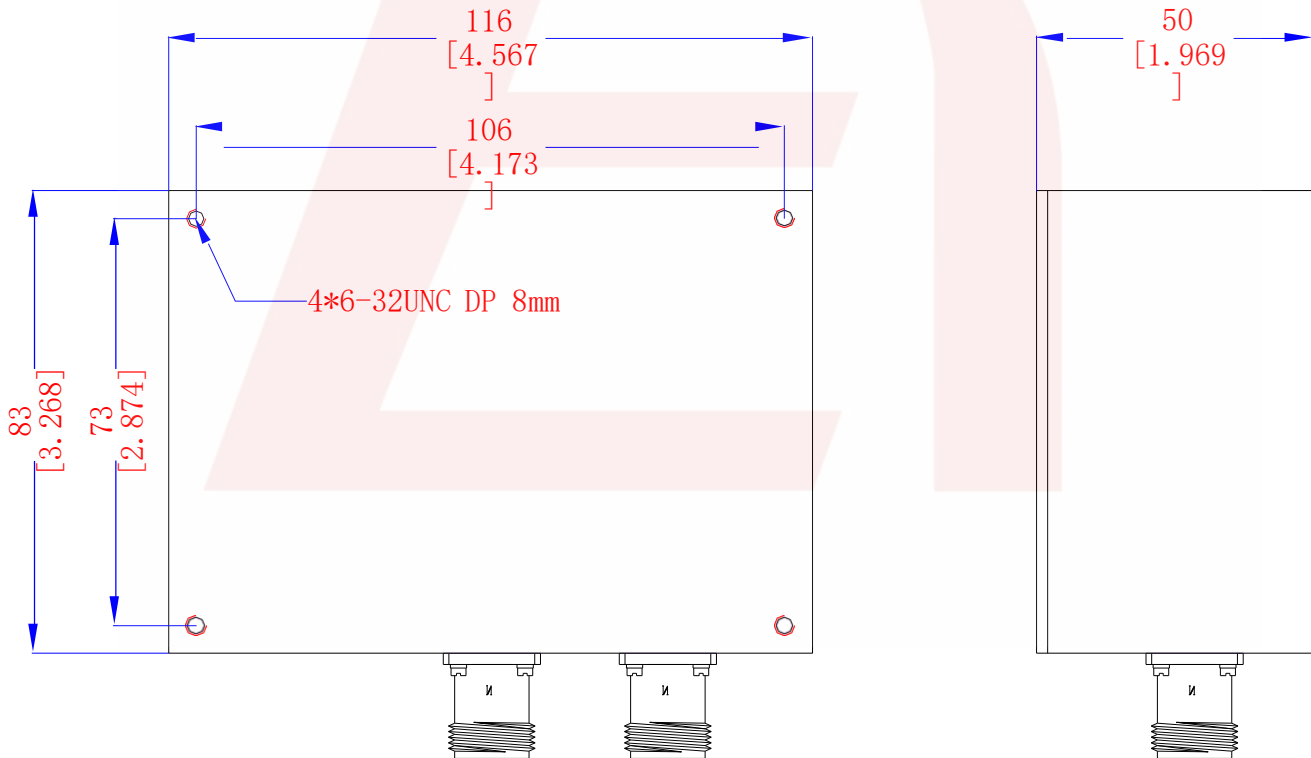
## Mechanical

**Mounting Method:** Threaded Holes  
**Connector Type:** N Type (F)  
**Dimensions:** 4.57 x 3.27 x 1.97 inches

## Environmental

**Operating Temperature:** -40 to +70 deg.C  
**Storage temperature:** -55 to +85 deg.C  
**Shock:** 20G. 11 ms  
**Vibration:** 20G 0.5 to 200 Hz  
**Weatherproofing:** IP67

## Outline Drawing:



2 decimal places: +/-0.01 inches [+/- 0.3mm]  
3decimal places: +/- 0.005 inches [+/- 0.13mm]  
Angles: +/- 1 Deg.

*When max dimensions are called out the above tolerances do not apply as long as it is under the max call out.*

**70 Outwater Lane Phone: (973) 772-4242**  
**Garfield, NJ 07026 Fax : (973) 321-3941**

**Email: [sales@anatechelectronics.com](mailto:sales@anatechelectronics.com)**  
**Web: [www.anatechelectronics.com](http://www.anatechelectronics.com)**



# ISM band Outdoor Band Pass Filter

**ANATECH ELECTRONICS INC**  
RF & Microwave Filters & Products

**Part Number: AE924B11660-NF-O**



## Response Plot:

