



ANATECH ELECTRONICS INC
RF & Microwave Filters & Products

930 MHz LC Lowpass Filter

Part Number: AE930L8812-4310



Electrical specifications

Cutoff Frequency (FC): 930 MHz
Passband: 0-930 MHz
Insertion loss over Passband: 0.3 dB Min
Return loss over Passband: 18 dB Max
Rejection @ 1830-5000 MHz: 100 dB Max
Impedance: 50 Ohms In/Out
Power Handling: 100 W

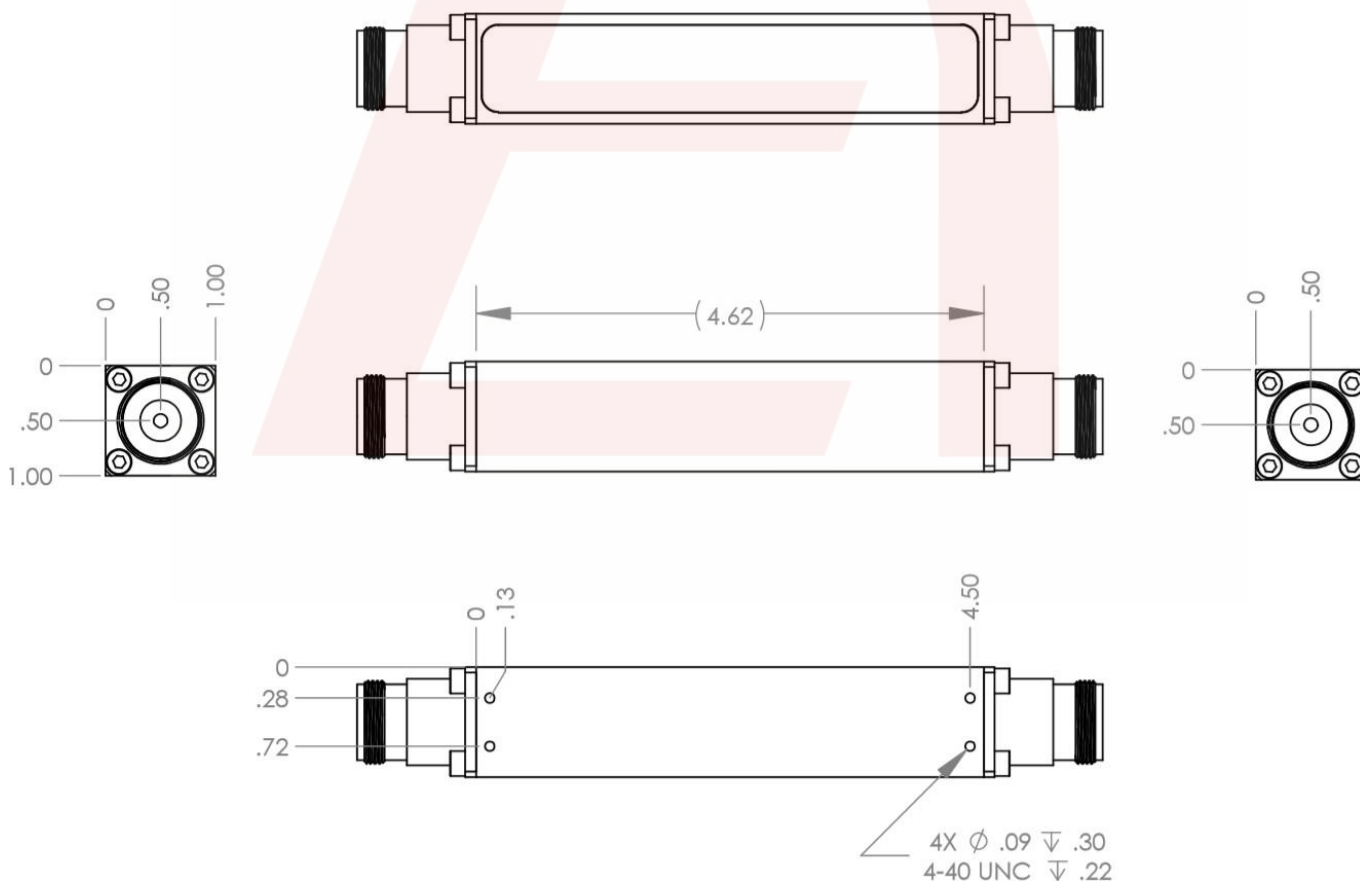
Mechanical

Connectors: 4.3/10 Female both end
Dimensions: 4.62" x 1.00" x 1.00"

Environmental

Operating Temperature: -40 to +70° C
Storage Temperature: -50 to +90° C
Shock: 10 G. 11ms
Vibration: 10 G. 5 to 200 Hz

Outline Drawing:



DS-L8812-4310-10242023-Rev0



Response Plot:

