



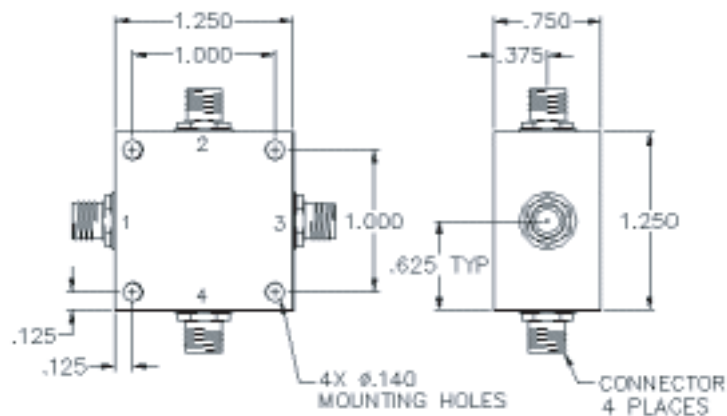
1-200 MHz 3 Way Power Divider

P/N: AM100PD1083

Frequency Range: 1-200 MHz
Insertion Loss: 0.5 dB Max.
Isolation: 25 dB Min
Amplitude Balance: 0.2 dB Max.
Phase Balance: 2° Max.
VSWR: 1.30:1 Max.
Input Power (Watts): 1 Max
Connector: SMA (F)

Note: Available with BNC, TNC, F, and N connectors

Outline Drawing:



Port Configuration

Input: 1

Outputs: 2, 3, 4

Ground: Housing