



ANATECH ELECTRONICS INC
RF & Microwave Filters & Products

100 MHz Saw Filter

Part Number: AM100S247



Parameters Description	Unit	Minimum	Typical	Maximum
Center Frequency (Fo)	MHz	-	100.00	-
Insertion Loss at Fo	dB	-	25.0	30.0
Passband Ripple Variation	dB	-	0.70	1.00
Group Delay Ripple	nsec	-	50	100
Absolute Delay at Fo	usec	-	2.67	-
Bandwidth at 1.0 dB	MHz	18.90	19.0	-
Bandwidth at 3.0 dB	MHz	19.20	19.27	-
Bandwidth at 40.0 dB	MHz	-	20.38	20.50
Ultimate Rejection	dB	50	55	-
Substrate Material	128* LN			

Parameters Description	Unit	Minimum	Typical	Maximum
Operation Temperature Range	°C	-40	-	+80
Storage Temperature Range	°C	-40	-	+85
Maximum DC Voltage	V	-	-	10
Maximum Input Power	dBm	-	-	10
Source Impedance (Single Ended) ₁	Ω	-	50	-
Load Impedance (Single Ended) ₁	Ω	-	50	-

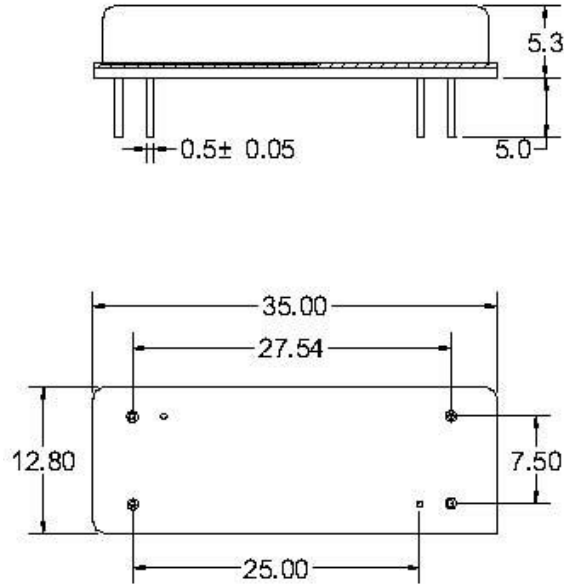


100 MHz Saw Filter

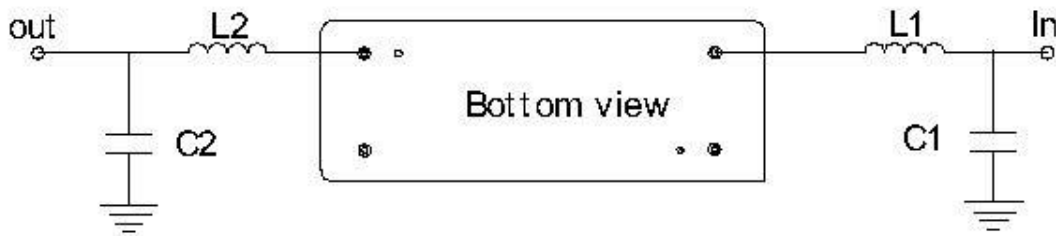
Part Number: AM100S247



Outline Drawing:



Testing Environment:



Pin Description		
Ground	L1 = 47 nH	C1 = 36 nH
Input	L2 = 47 pF	C2 = 27 pF
Source/Load Impedance	50 Ω	