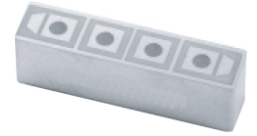




TCAS ceramic BPF
 P/N AM1090B264

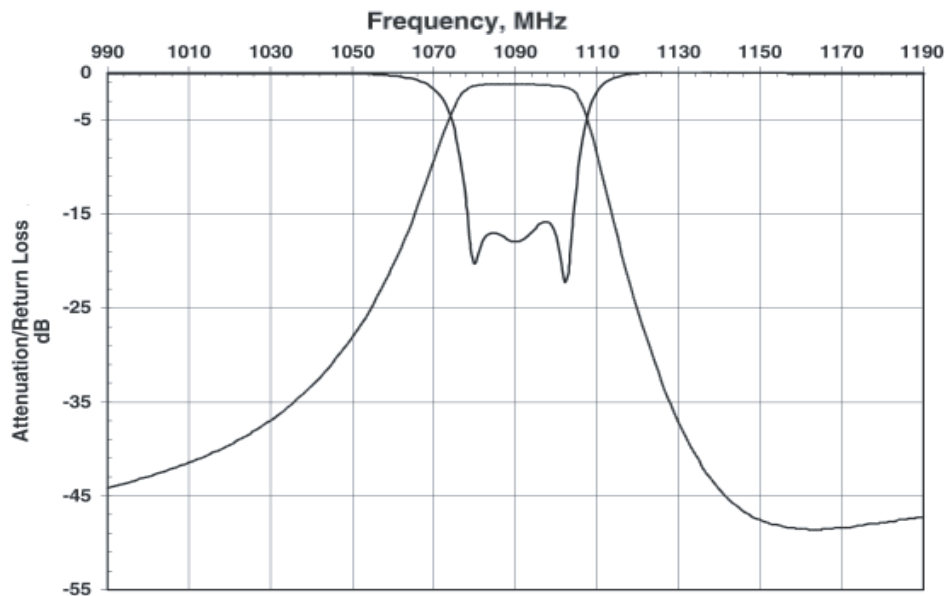


Meets RoHS requirements

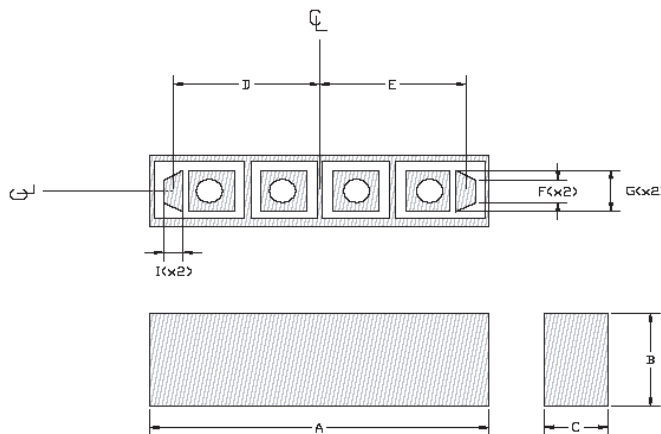
Electrical Specifications

Parameter	Frequency (MHz)	Typical @ 25°C	Spec. @ 25°C
Passband Insertion Loss	1087-1093	1.5 dB	2.0 dB max
Passband Return Loss	1087-1093	15.0 dB	12.0 dB min
Attenuation	1030	37.0 dB	35.0 dB min

Electrical response



Mechanical Drawing



Dim	Nominal (mm)	Tolerance (mm) +/- or max
A	33.60	max
B	10.11	max
C	7.85	max
D	14.351	0.127
E	14.351	0.127
F	2.515	0.127
G	4.521	0.127
I	1.880	0.127