



**ANATECH ELECTRONICS INC**  
RF & Microwave Filters & Products

# 115 MHz IF Saw Filter 26 MHz Bandwidth

**Part Number: AM115S590**



Parameters Description	Unit	Minimum	Typical	Maximum
Center Frequency (Fo)	MHz	114.91	115.00	115.09
Insertion Loss at Fo	dB	-	23.1	25.0
Passband Ripple Variation	dBp-p	-	0.7	1.0
Group Delay Variation	nsec	-	35	80
Absolute Delay at Fo	usec	-	1.573	-
Bandwidth at -1.0 dB	MHz	25.5	25.60	-
Bandwidth at -3.0 dB	MHz	26.1	26.25	-
Bandwidth at -40.0 dB	MHz	-	28.60	28.80
Ultimate Rejection	dB	50	55	-
Substrate Material	LN			

Parameters Description	Unit	Minimum	Typical	Maximum
Operation Temperature Range	°C	-30	-	+80
Storage Temperature Range	°C	-40	-	+85
Maximum DC Voltage	V	-	-	10
Maximum Input Power	dBm	-	-	10
Source Impedance (Single Ended) <sub>1</sub>	Ω	-	50	-
Load Impedance (Single Ended) <sub>1</sub>	Ω	-	50	-
Package Size and Type	34.7 x 12.6 x 5.05 mm			F



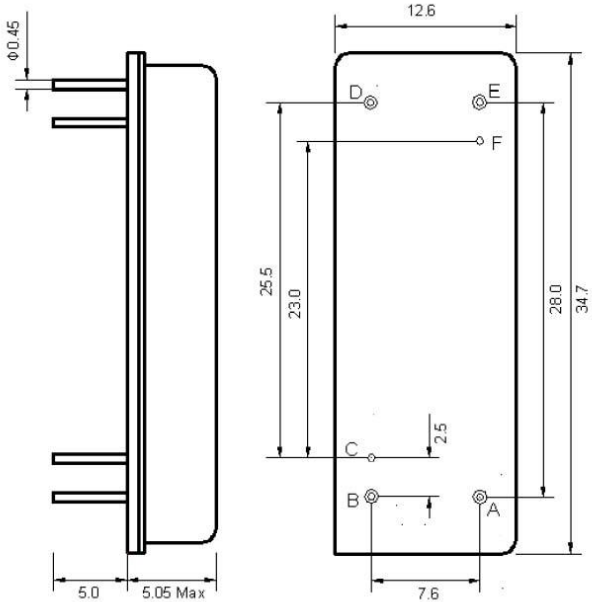
# 115 MHz IF Saw Filter 26 MHz Bandwidth

## Part Number: AM115S590



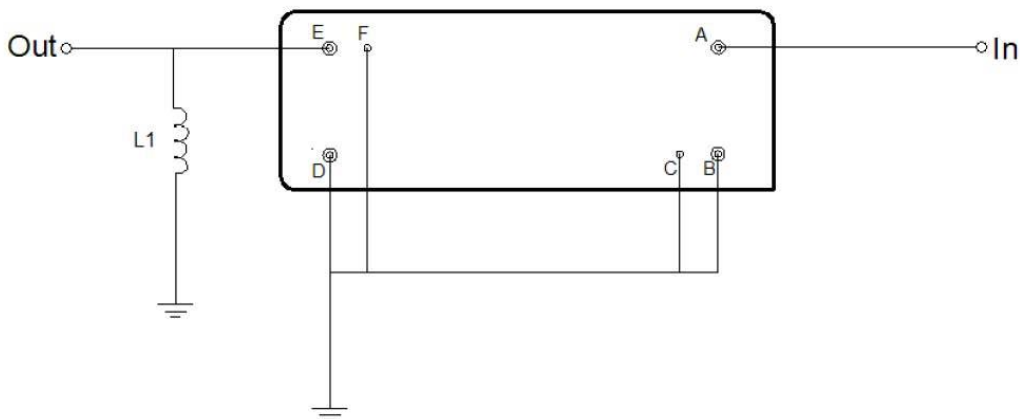
**ANATECH ELECTRONICS INC**  
RF & Microwave Filters & Products

### Outline Drawing:



Pin Description	
Ground	B C D F
Input	A
Output	E

### Testing Environment:



Test Fixture & Values	
Output	L1 = 39 nH
Source/Load Impedance	50 $\Omega$