



ANATECH ELECTRONICS INC
RF & Microwave Filters & Products

120 MHz CDMA Base Station Saw Filter

Part Number: AM120S549



Parameters Description	Unit	Minimum	Typical	Maximum
Center Frequency (Fo)	MHz	-	120.0	-
Insertion Loss at Fo	dB	-	18.8	20.0
Passband Ripple at Fo ± 0.35 MHz	dB	-	0.8	1.0
Phase Linearity at Fo ± 0.35 MHz	Deg	-	4.0	5.0
Absolute Delay at Fo ± 0.35 MHz	usec	-	3.59	3.8
Lower 1.5 dB Point at Fo – 1.5 dB	MHz	-	119.519	119.55
Upper 1.5 dB Point at Fo + 1.5 dB	MHz	120.45	120.491	-
Lower 35 dB Point at Fo – 35 dB	MHz	119.135	119.18	-
Upper 35 dB Point at Fo + 35 dB	MHz	-	120.82	120.865
Lower 50 dB Point at Fo – 50 dB	MHz	119.1	120.868	-
Upper 50 dB Point at Fo + 50 dB	MHz	-		120.90
Ultimate Rejection at 109.1 ~ 119.1 MHz	dB	50	65	-
Ultimate Rejection at 120.9 ~ 130.9 MHz	dB	50	54	-
Return Loss Input at Fo ± 0.3 MHz	dB	14	19	-
Return Loss Output at Fo ± 0.3 MHz	dB	14	18	-

Parameters Description	Unit	Minimum	Typical	Maximum
Operation Temperature Range	°C	-30	-	+80
Storage Temperature Range	°C	-40	-	+85
Maximum DC Voltage	V	-	-	10
Maximum Input Power	dBm	-	-	10
Source Impedance (Single Ended) ₁	Ω	-	50	-
Load Impedance (Single Ended) ₁	Ω	-	50	-
Package Size and Type	27.2 x 12.6 x 5.0 mm E			



120 MHz CDMA Base Station Saw Filter

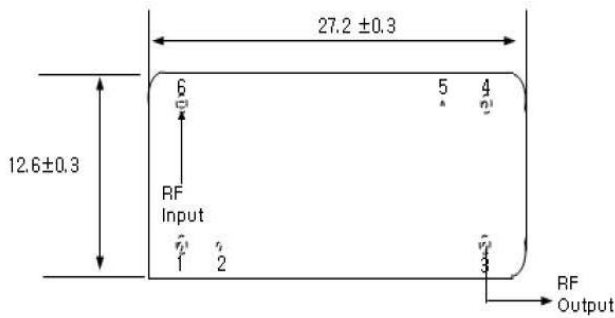
Part Number: AM120S549



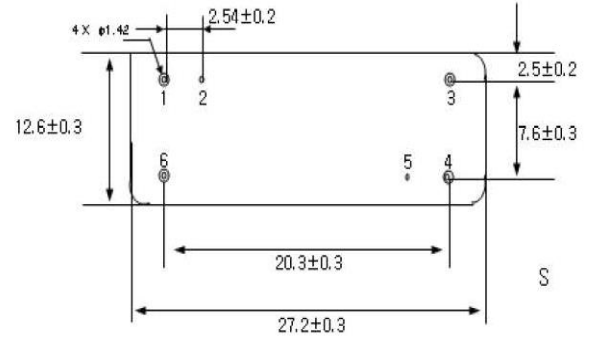
ANATECH ELECTRONICS INC
RF & Microwave Filters & Products

Outline Drawing:

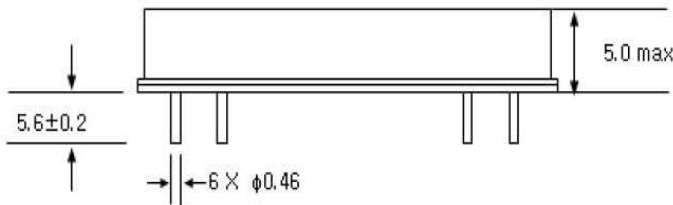
1) Top view



3) Bottom view



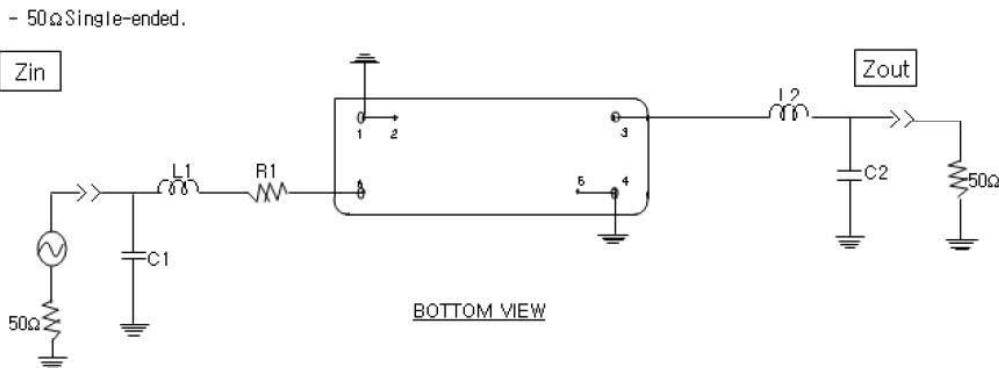
2) Side view



Terminal connection :
3 – Output +
6 – Input +
1, 2, 4, 5, – Ground

Marking Descriptions :
• : 1st pin Mark
XXXX : Date Code (Year, month, date)

Testing Environment:



R1: 2.2Ω, L1: 39nH, L2: 30nH, C1: 59pF, C2: 58pF, Zin, Zout = 50Ω



120 MHz CDMA Base Station Saw Filter

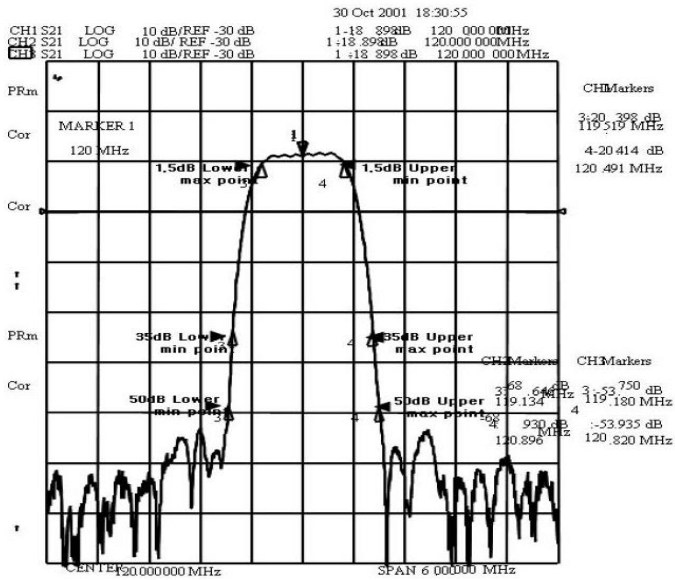
Part Number: AM120S549



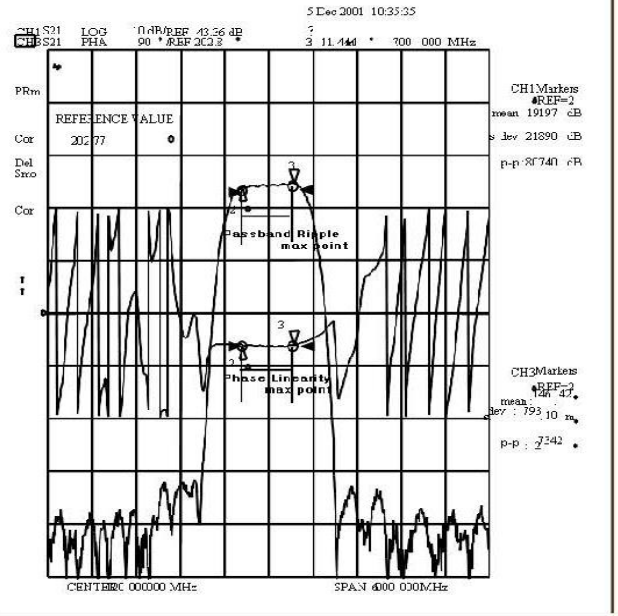
ANATECH ELECTRONICS INC
RF & Microwave Filters & Products

Frequency Response:

S21 Pass Band Ripple & Phase Linearity



S21 Pass band Ripple & Phase Linearity



S11, S22 Input, Output Return Loss & Absolute Delay

