



# 140 MHz IF Saw Filter 25 MHz Bandwidth

## Part Number: AM140S614

**ANATECH ELECTRONICS INC**  
RF & Microwave Filters & Products



| Parameters Description    | Unit | Minimum | Typical | Maximum |
|---------------------------|------|---------|---------|---------|
| Center Frequency (Fo)     | MHz  | 139.90  | 140.00  | 140.10  |
| Insertion Loss at Fo      | dB   | -       | 21.5    | 24.0    |
| Passband Ripple Variation | dB   | -       | 0.70    | 1.0     |
| Group Delay Variation     | nsec | -       | 30      | 100     |
| Absolute Delay at Fo      | usec | -       | 1.20    | -       |
| Bandwidth at -1.0 dB      | MHz  | 24.3    | 24.8    | -       |
| Bandwidth at -3.0 dB      | MHz  | 25.0    | 25.5    | -       |
| Bandwidth at -40.0 dB     | MHz  | -       | 28.6    | 30.0    |
| Ultimate Rejection        | dB   | 50      | 55      | -       |
| Ambient Temperature       | °C   | -       | 25      | -       |
| Substrate Material        | LN   |         |         |         |

| Parameters Description                       | Unit                  | Minimum | Typical | Maximum |
|--|-----------------------|---------|---------|---------|
| Operation Temperature Range                  | °C                    | -30     | -       | +80     |
| Storage Temperature Range                    | °C                    | -40     | -       | +85     |
| Maximum DC Voltage                           | V                     | -       | -       | 10      |
| Maximum Input Power                          | dBm                   | -       | -       | 10      |
| Source Impedance (Single Ended) <sub>1</sub> | Ω                     | -       | 50      | -       |
| Load Impedance (Single Ended) <sub>1</sub>   | Ω                     | -       | 50      | -       |
| Package Size and Type                        | 20.0 x 12.6 x 5.05 mm |         | D       |         |



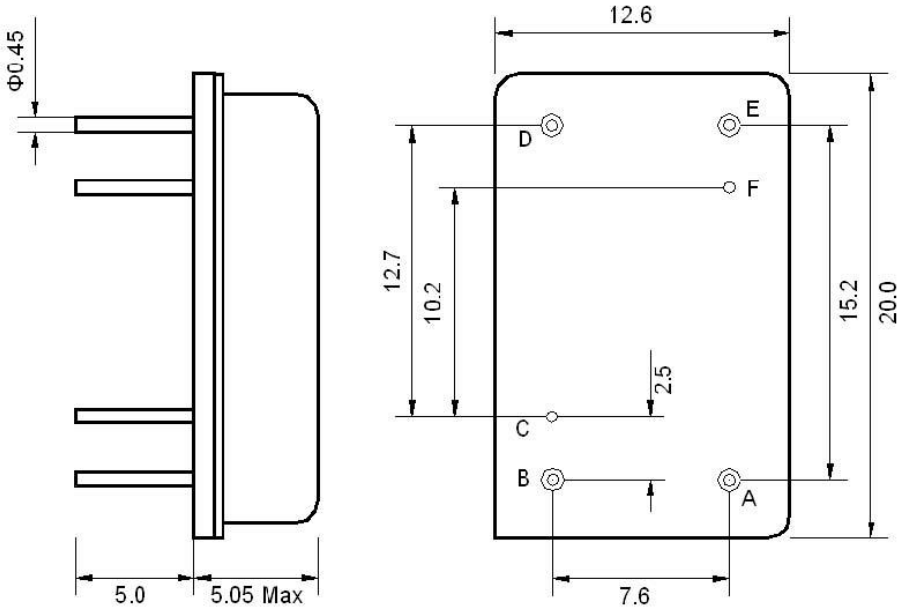
# 140 MHz IF Saw Filter 25 MHz Bandwidth

## Part Number: AM140S614



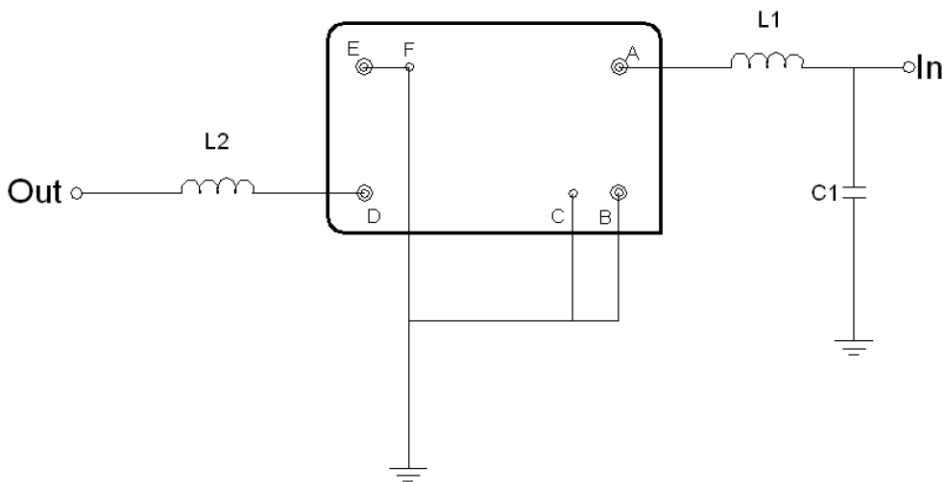
**ANATECH ELECTRONICS INC**  
RF & Microwave Filters & Products

### Outline Drawing:



| Pin Description |         |
|-----------------|---------|
| Ground          | B C E F |
| Input           | A       |
| Output          | D       |

### Testing Environment:



| Test Fixture & Values |                    |
|-----------------------|--------------------|
| Input                 | L1 = 56nH, C1=18pF |
| Output                | L2 = 56nH          |
| Source/Load Impedance | 50 $\Omega$        |