



**Electrical specifications**

**Center Frequency:** 1472 MHz  
**Bandwidth:** 40 MHz  
**Input / Output Impedance:** 50 Ohms  
**Passband:** 1452-1492 MHz  
**Passband Insertion Loss:** 1452-1492 MHz 1.0 dB max  
**Passband Ripple:** 1.0 dB max  
**Passband Return Loss:** 1452-1492 MHz 10 dB min  
**Rejection:** 1242 MHz 40 dB min  
**Power Handling:** 1 Watt max

**Mechanical**

**Mounting Method:** SMT  
**Dimensions:** 5.58 x 4.99 x 3.2 mm

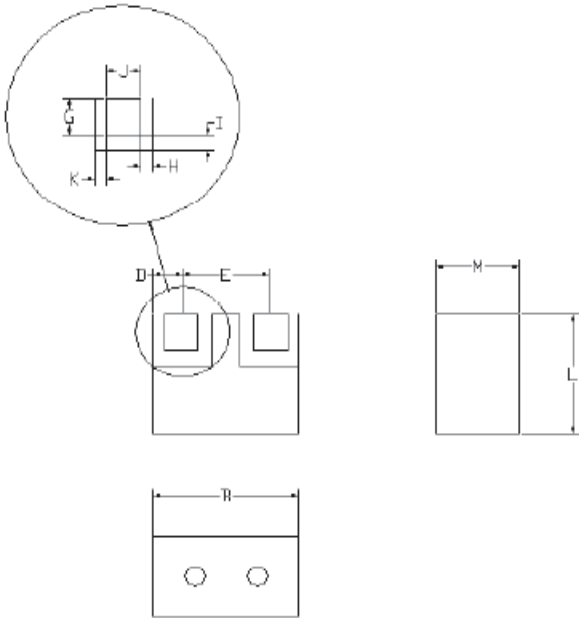
**Environmental**

**Operating Temperature:** -20°C to 60°C  
**Storage Temperature:** -50°C to +90°C



This product is RoHs compliant.

**Mechanical Drawing:**



Dim	Nominal (mm)	Tolerance (mm) +/- or max/min
A		
B	5.58	Max
C		
D	1.03	0.25
E	3.28	0.25
F		
G	1.4	0.13
H	0.51	0.13
I	0.6	0.13
J	1.24	0.13
K	0.38	0.25
L	4.99	Max
M	3.2	Max



**ANATECH ELECTRONICS INC**  
RF & Microwave Filters & Products

# Digital Audio Broadcast BPF

Part Number: AM1472B743



## Response Plot:

