

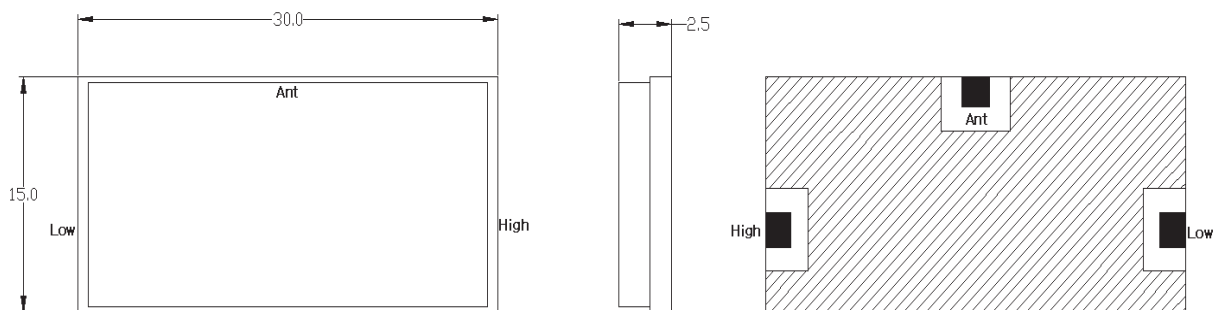


153.75-171.25 MHz Saw Duplexer

Part Number: AM153-171SD361

**Electrical**

	<b>Tx(153.75MHz).</b>	<b>Rx(171.25MHz)</b>
1. Center Frequency (Fo):	153.75MHz	171.25 MHz
2. Pass Band (BW):	± 3.75 MHz	± 3.75 MHz
3. Insertion Loss:	4.0dB max. @ BW	4.5dB max. @ BW
4. In-band Ripple:	1.5dB max. @ BW	1.8dB max. @ BW
5. Absolute Attenuation:		
167.5 ~ 175.0 MHz	-	20dB (min.)
150.0 ~ 157.5 MHz	45dB (min.)	-
6. Isolation:		
150.0 ~ 157.5 MHz	45dB (min.)	
167.5 ~ 175.0 MHz	20dB (min.)	
7. Impedance (All Port):	50 Ohms	50 Ohms
8. Operating Temperature:	- 30 to +85	
9. PKB Size:	30x15x3.5 mm (max.)	
10. Maximum Input Power:	15 dBm (max.)	



Unit: mm



**155-170 MHz Saw Duplexer**

**Part Number: AM155-170SD360**

