



ANATECH ELECTRONICS INC
RF & Microwave Filters & Products

153.405 MHz Saw Filter

Part Number: AM153S810

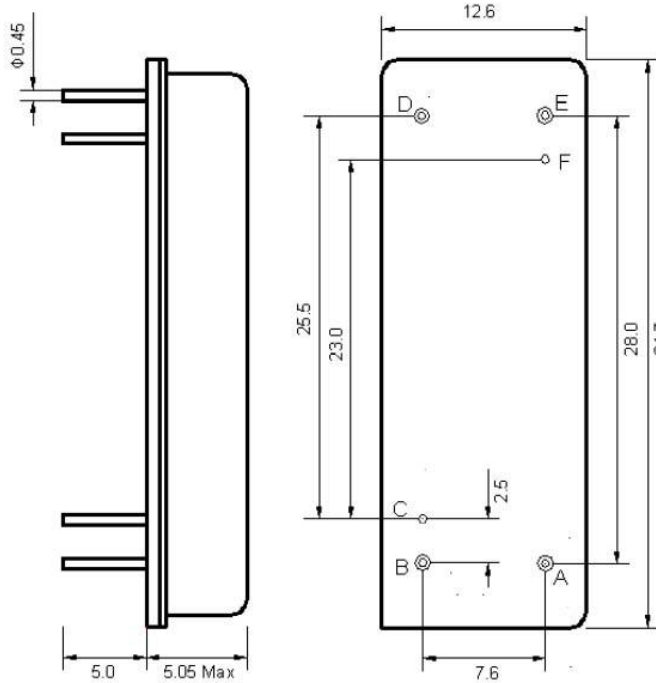


Parameters Description	Unit	Minimum	Typical	Maximum
Center Frequency (Fo)	MHz	-	153.405	-
Insertion Loss at Fo	dB	-	21.0	23.0
Amplitude Ripple Variation	dB _{p-p}	-	0.40	0.70
Group Delay Variation	nsec	-	170	220
Absolute Delay at Fo	µsec	-	3.8	4.2
Temperature Coefficient	ppm/°C	-	-0.03	-
Bandwidth at 1.0 dB	MHz	1.8	2.0	-
Bandwidth at 3.0 dB	MHz	-	2.1	-
Bandwidth at 40.0 dB	MHz	-	2.8	3.0
Ultimate Attenuation	dB	40	48	-

Parameters Description	Unit	Minimum	Typical	Maximum
Operation Temperature Range	°C	-30	-	+80
Storage Temperature Range	°C	-40	-	+85
Maximum Input Power	dBm	-	-	10
Source Impedance (Single Ended) ₁	Ω	-	50	-
Load Impedance (Single Ended) ₁	Ω	-	50	-
Package Size and Type	34.7 x 12.6 x 5.05 mm			F

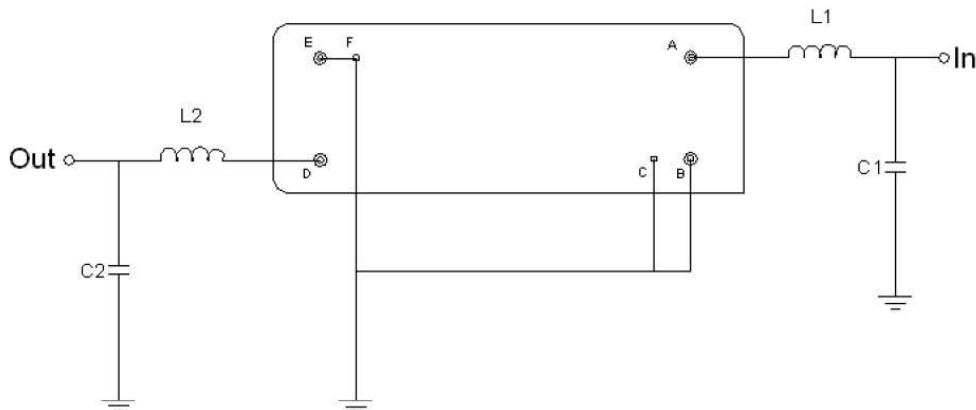


Outline Drawing:



Pin Description	
Ground	B C E F
Input	A
Output	D

Testing Environment:



Test Fixture & Values	
Input	L1= T.B.D, C1= T.B.D
Output	L2= T.B.D, C2= T.B.D