



# 1575 MHz GPS RF Saw Filter

**Part Number: AM1575S383**

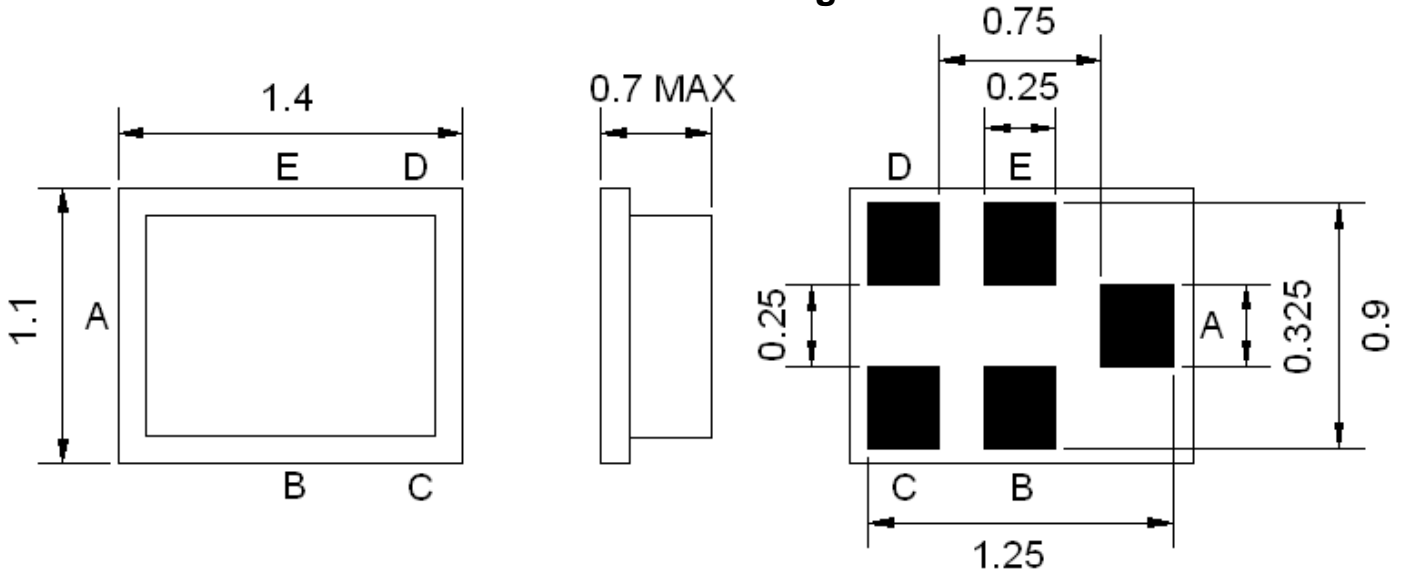


Parameters Description	Unit	Minimum	Typical	Maximum
Center Frequency (Fo)	MHz	-	1575.42	-
Insertion Loss within 1574.42 ~ 1576.42 MHz	dB	-	0.90	1.5
Amplitude Ripple within 1574.42 ~ 1576.42 MHz	dB <sub>p-p</sub>	-	0.10	0.75
VSWR within 1574.42 ~ 1576.42 MHz	-	-	1.15	1.60
2 dB Bandwidth	MHz	-	40	-
<b>Attenuation:</b>				
DC ~ 1450 MHz	dB	35	38	-
1450 ~ 1520 MHz	dB	30	45	-
1625 ~ 1640 MHz	dB	45	48	-
1640 ~ 1805 MHz	dB	38	40	-
1805 ~ 1910 MHz	dB	38	40	-
1910 ~ 2000 MHz	dB	38	43	-
2000 ~ 4000 MHz	dB	30	45	-
4000 ~ 6000 MHz	dB	20	22	-

Parameters Description	Unit	Minimum	Typical	Maximum
Operation Temperature Range	°C	-40	-	+85
Storage Temperature Range	°C	-40	-	+85
Maximum DC Voltage	V	-	-	3
Maximum Input Power	dBm	-	-	15
Source Impedance (Single Ended) <sub>1</sub>	Ω	-	50	-
Load Impedance (Single Ended) <sub>1</sub>	Ω	-	50	-
Package Size and Type	1.4 x 1.1 x 0.7 mm		Q	



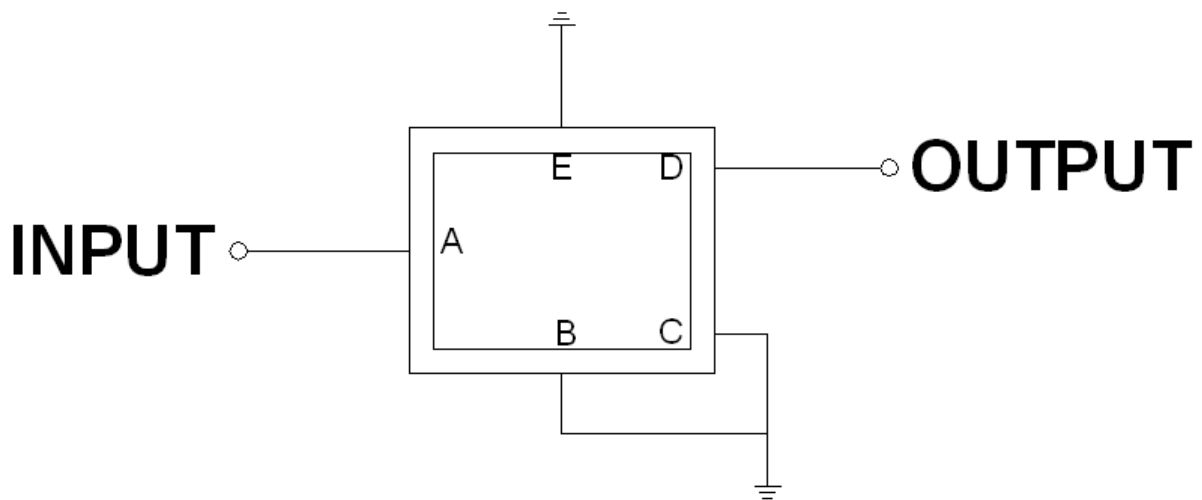
### Outline Drawing:



**Pin Description:**

Ground – B C E  
 Input – A  
 Output – D

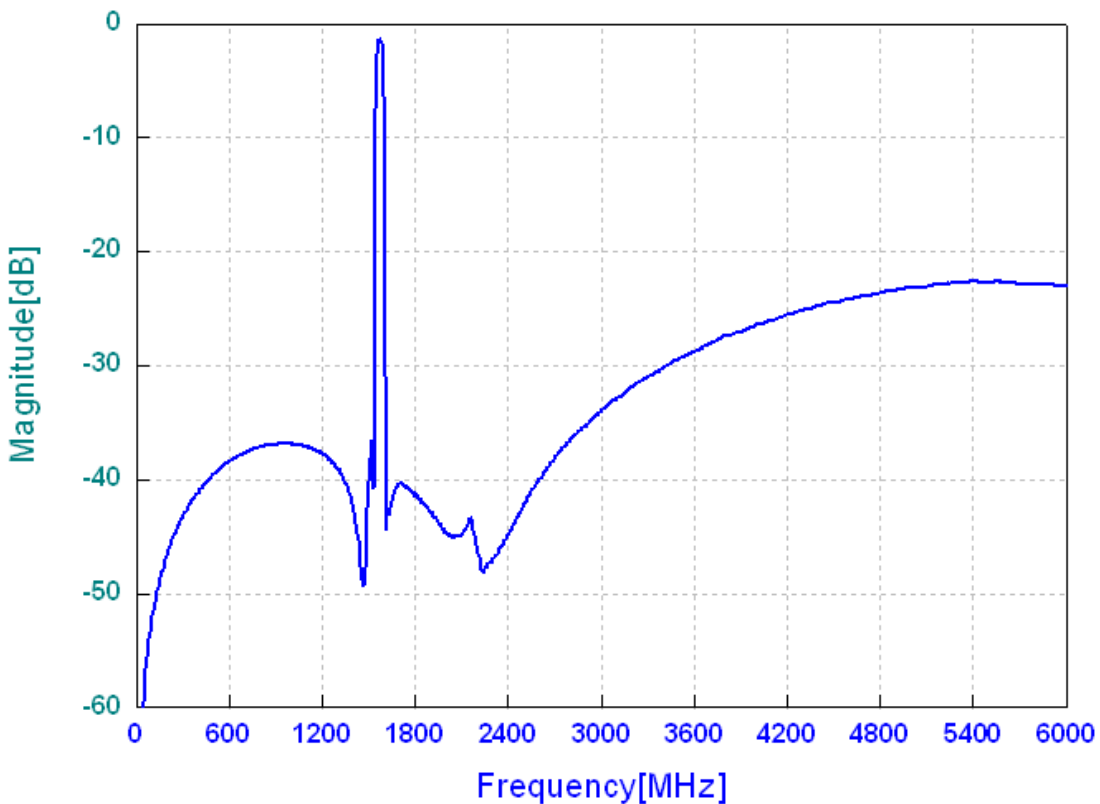
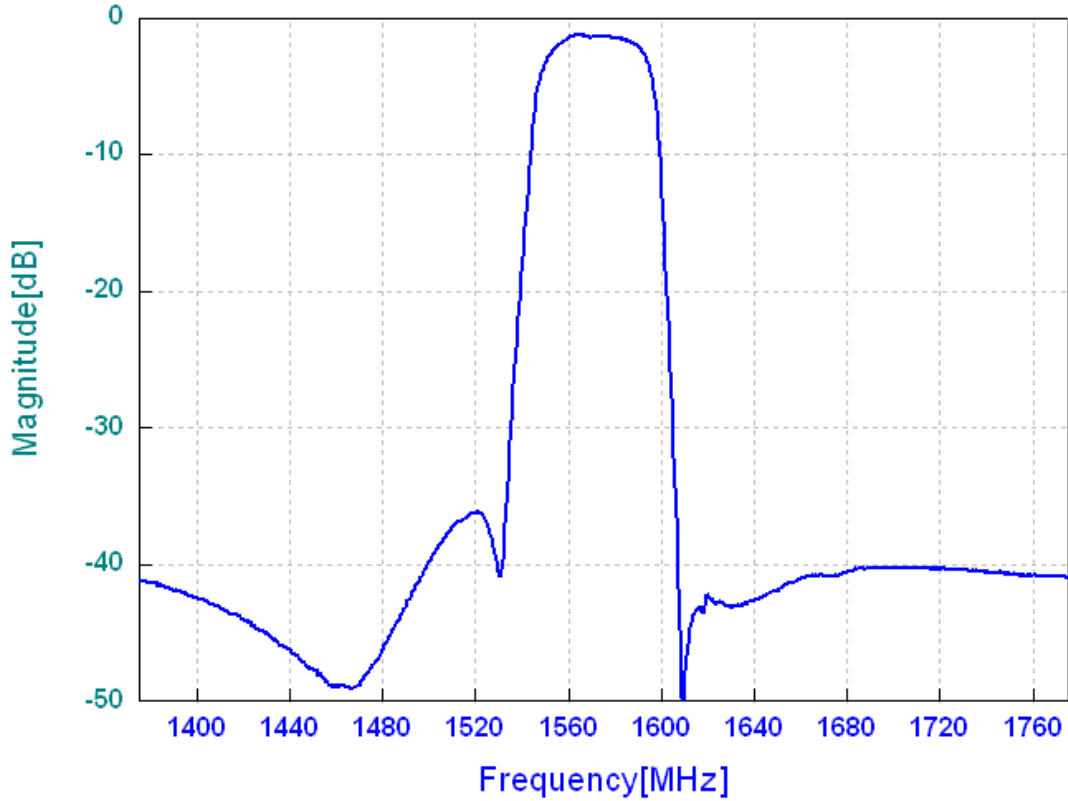
### Testing Environment:



Source/Load Impedance: 50 Ω



### Response Plot:





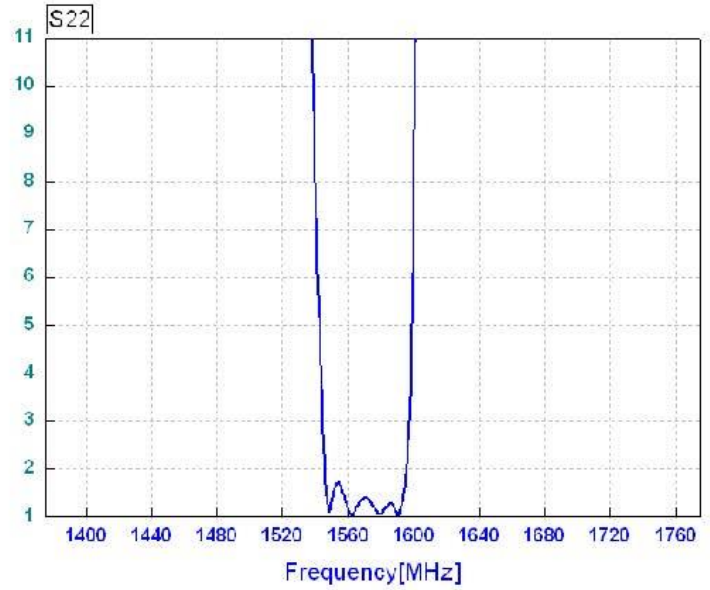
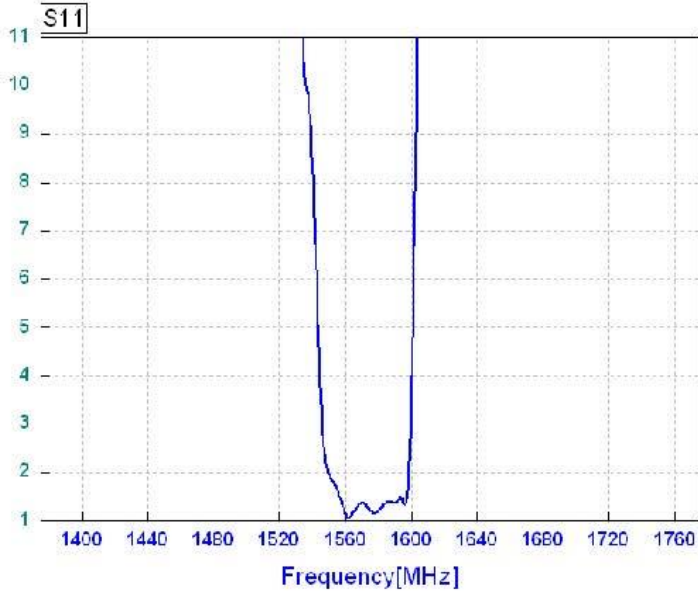
**ANATECH ELECTRONICS INC**  
RF & Microwave Filters & Products

# 1575 MHz GPS RF Saw Filter

**Part Number: AM1575S383**



## VSWR:



## Smith Chart:

