



# 160 MHz IF Saw Filter 1 MHz Bandwidth

## Part Number: AM160S622

**ANATECH ELECTRONICS INC**  
RF & Microwave Filters & Products



Parameters Description	Unit	Minimum	Typical	Maximum
Center Frequency (Fo)	MHz	159.90	160.0	160.10
Insertion Loss at Fo	dB	-	19.0	22.0
Group Delay Variation at Fo ± 0.63 MHz	nsec	-	180	300
Passband Ripple Variation Fo ± 0.50 MHz	dB	-	0.6	1.00
Absolute Delay at Fo	µsec	-	2.50	-
Bandwidth at -1.5 dB	MHz	1.26	1.35	-
Bandwidth at -3.0 dB	MHz	1.40	1.50	-
Bandwidth at -35.0 dB	MHz	-	2.25	2.40
Bandwidth at -50.0 dB	MHz	-	2.38	2.50
Rejection (162 ~ 167 MHz)	dB	50	55	-
<b>Ultimate Rejection:</b>				
Fo - 9 MHz ~ Fo - 2 MHz	dB	50	55	-
Fo + 2 MHz ~ Fo + 9 MHz	dB	50	55	-
Ambient Temperature	°C	-	+25	-
Substrate Material	LN			

Parameters Description	Unit	Minimum	Typical	Maximum
Operation Temperature Range	°C	-40	-	+85
Storage Temperature Range	°C	-60	-	+85
Maximum DC Voltage	V	-	-	10
Maximum Input Power	dBm	-	-	10
Source Impedance (Single Ended) <sub>1</sub>	Ω	-	50	-
Load Impedance (Single Ended) <sub>1</sub>	Ω	-	50	-
Package Size and Type	20.0 x 12.6 x 5.3 mm D			



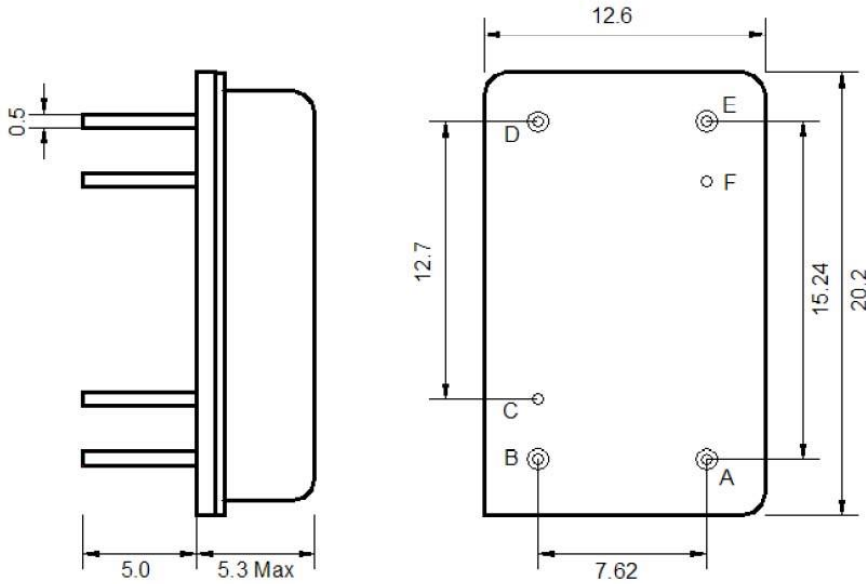
# 160 MHz IF Saw Filter 1 MHz Bandwidth

## Part Number: AM160S622



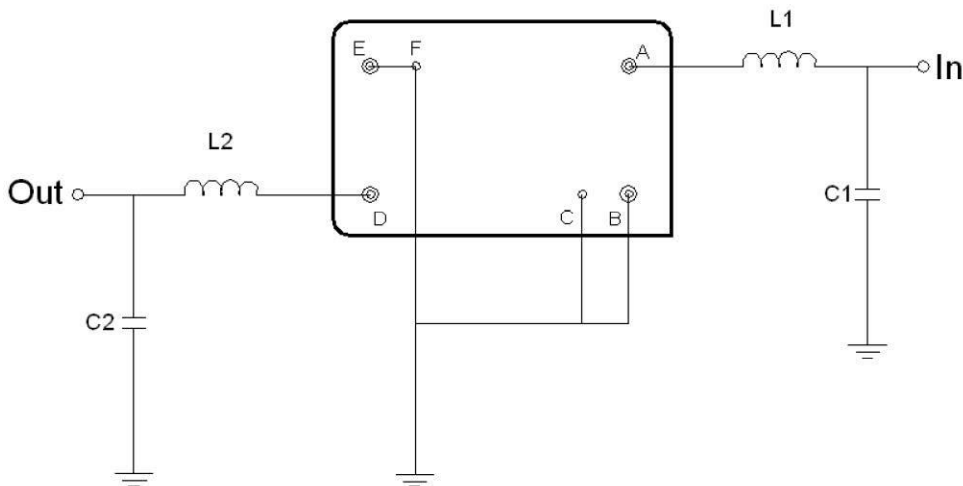
**ANATECH ELECTRONICS INC**  
RF & Microwave Filters & Products

### Outline Drawing:



Pin Description	
Ground	B C E F
Input	A
Output	D

### Testing Environment:



Test Fixture & Values	
Input	L1 = 56 nH, C1 = 30 pF
Output	L2 = 56 nH, C2 = 15 pF
Source/Load Impedance	50 Ω



**ANATECH ELECTRONICS INC**  
RF & Microwave Filters & Products

# 160 MHz IF Saw Filter 1 MHz Bandwidth

**Part Number: AM160S622**



## Frequency Response:

