



**Electrical specifications**

**Center Frequency (Fo):** 1750 MHz  
**Bandwidth (BW):** 200 MHz  
**Insertion Loss (F0):** 1.2 dB max  
**Ripple in BW:** 0.5 dB max  
**VSWR:** 1.5 : 1 dB max  
**Rejection:** 40dB min at 1390MHz  
**Rejection 2:** 40dB min at 2200MHz  
**Input / Output Impedance:** 50 Ohms  
**Power Handling:** 1 W

**Mechanical**

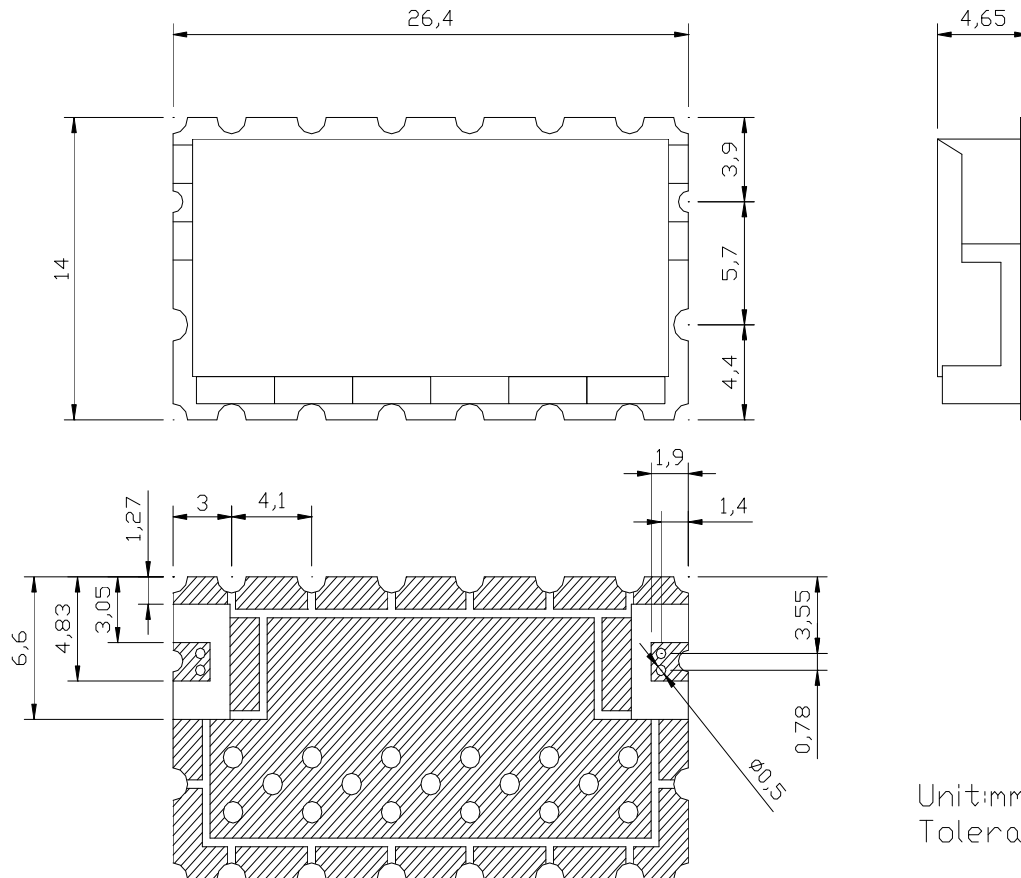
**Mounting Method:** SMT  
**Dimensions:** 26.4 x 14 x 4.65 mm

**Environmental**

**Operating Temperature:** -20°C to +70°C  
**Storage Temperature:** -55°C to +85°C

**This product is RoHs compliant.**

**Outline Drawing:**



Unit:mm  
Tolerance:±0.3