



ANATECH ELECTRONICS INC
RF & Microwave Filters & Products

5G/LTE Band 2 / PCS Band Ceramic Duplexer

Part Number: AM1900D692



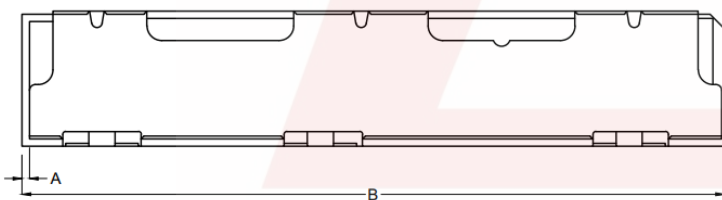
Characteristics	Band 1 (TX)	Band 2 (RX)
Passband:	1850-1910 MHz	1930-1990 MHz
Bandwidth:	60 MHz	60 MHz
Passband Return Loss:	15 dB	13.5 MHz
Passband Insertion Loss:	2.6 dB	3.0 dB
Passband Ripple:	1.8 dB	1.9 dB
Input / Output Impedance:	50 Ohms	50 Ohms
Isolation:	53 dB	50 dB
Power Handling:	2W max	2W max

Mechanical	
Mounting Method:	SMT
Dimensions:	23.93 x 6.55 x 4.60 mm

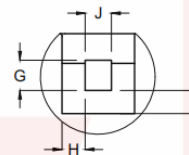
Environmental	
Operating Temperature:	-40 to +70 deg.C
Storage Temperature:	-50 to +90 deg.C
Shock:	10 G. 11ms
Vibration:	10 G. 5 to 200 Hz

This product is RoHs compliant.

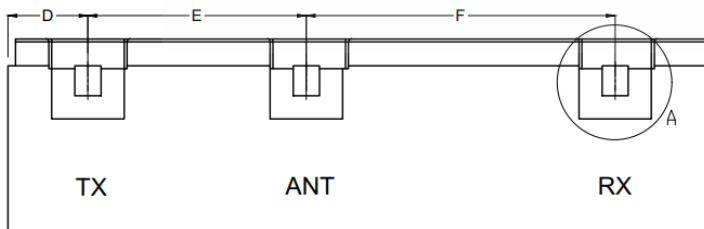
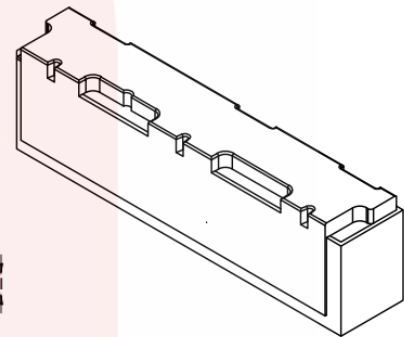
Outline Drawing:



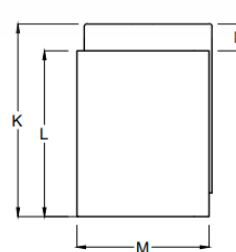
FRONT



DETAIL A



BOTTOM



SIDE

DIM	NOMINAL(mm)	TOLERANCE (mm) +/- or max
A	0.25	0.25
B	23.93	max
D	2.72	0.25
E	7.44	0.13
F	10.52	0.13
G	1.02	0.13
H	0.79	0.13
I	0.79	0.13
J	0.89	0.13
K	6.55	max
L	5.64	max
M	4.60	max
N	0.84	0.13

DS-D692-12222015-Rev0



Plot:

