



207 MHz IF Saw Filter
Part Number: AM207S268



Parameters Description	Unit	Minimum	Typical	Maximum
Center Frequency (Fo)	MHz	-	207.00	-
Insertion Loss at Fo	dB	-	23.00	24.50
Group Delay Variation within Fo ± 2.4 MHz	nsec	-	100	200
Passband Ripple within Fo ± 2.4 MHz	dBp-p	-	0.55	1.00
Absolute Delay at Fo	µsec	-	2.43	-
Bandwidth at 1.0 dB	MHz	-	5.13	-
Bandwidth at 3.0 dB	MHz	5.20	5.38	-
Bandwidth at 10.0 dB	MHz	-	5.70	-
Bandwidth at 40.0 dB	dB	-	6.24	6.50
Ultimate Attenuation	dB	48	52	-
Temperature Coefficient	ppm/°C	-	-0.03	-
Substrate Material	Quartz			

Parameters Description	Unit	Minimum	Typical	Maximum
Operation Temperature Range	°C	-30	-	+80
Storage Temperature Range	°C	-40	-	+85
Maximum DC Voltage	V	-	-	10
Maximum Input Power	dBm	-	-	10
Source Impedance (Single Ended) ₁	Ω	-	50	-
Load Impedance (Single Ended) ₁	Ω	-	50	-
Package Size	20.1 x 12.5 x 5.0 mm			

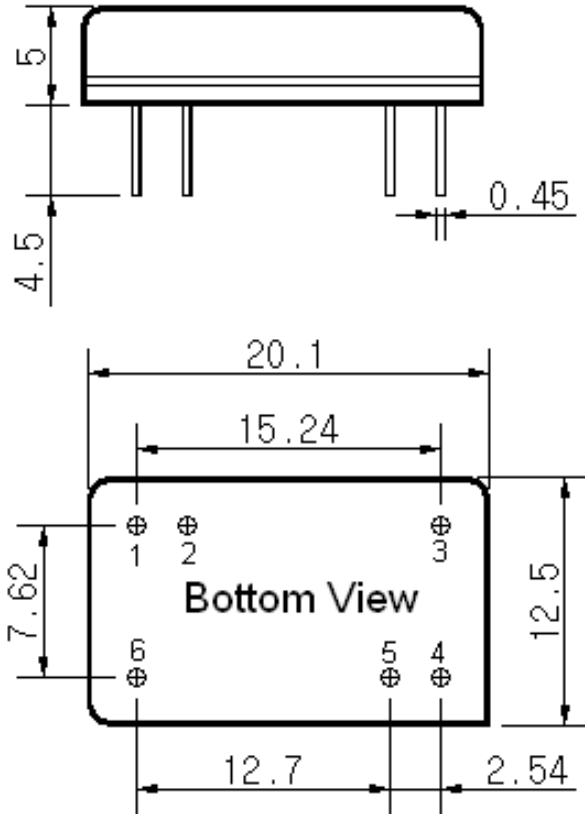


207 MHz IF Saw Filter

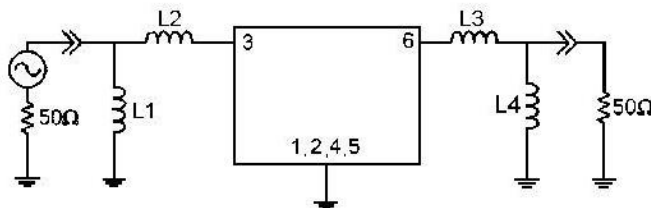
Part Number: AM207S268



Outline Drawing:



Testing Environment:



50Ω Single-ended

L1=15nH, L2=L3=3.3nH, L4=10nH

Source / Load Impedance = 50Ω

Ambient Temperature = 25°C

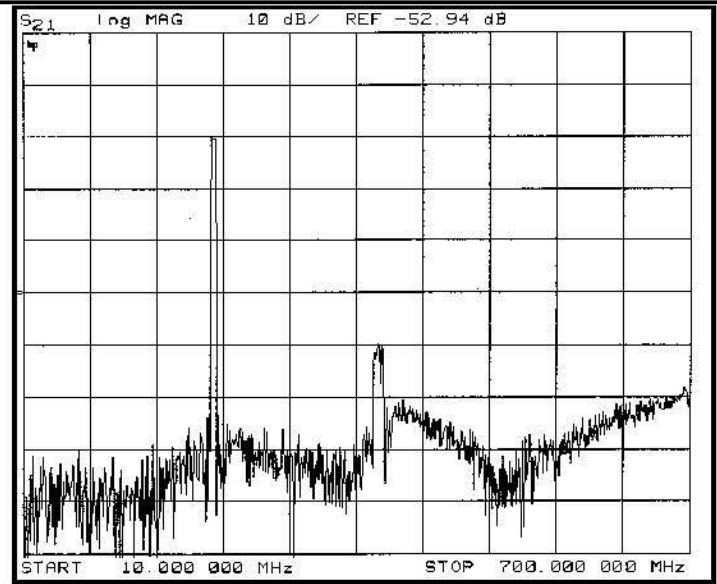
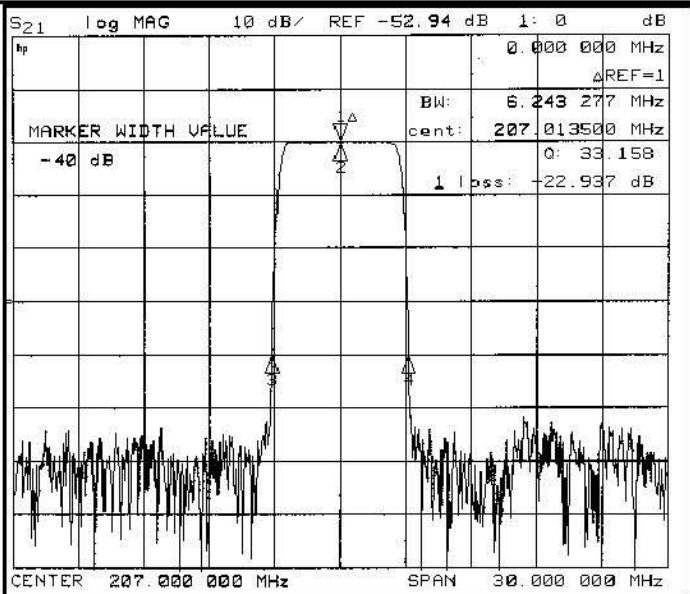
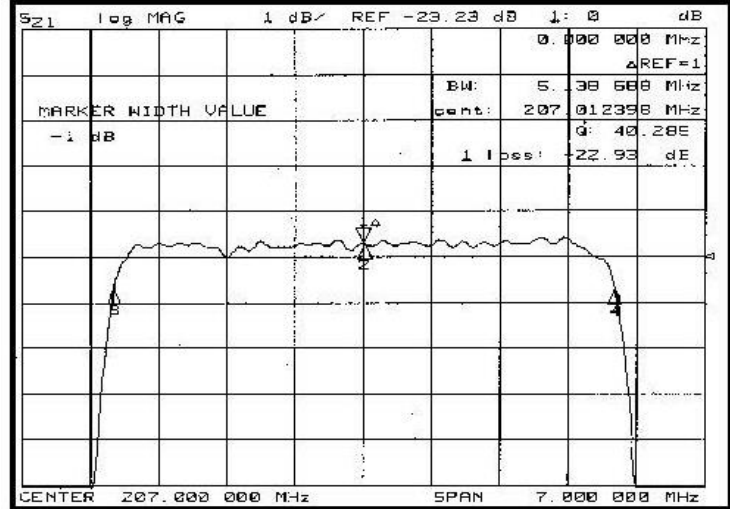
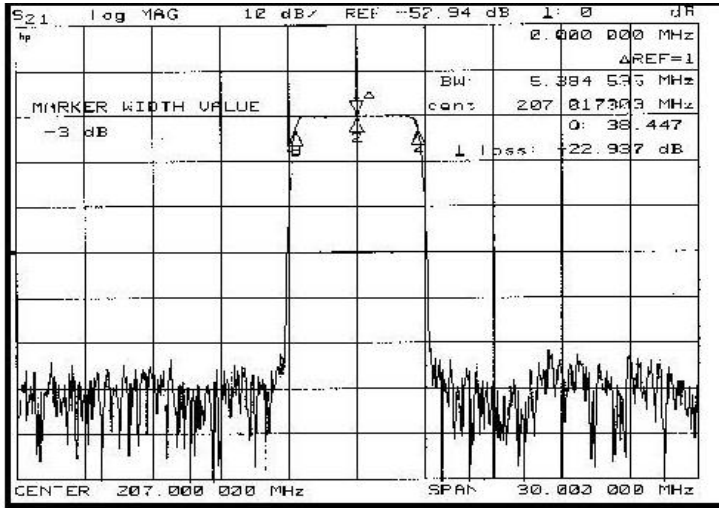


207 MHz IF Saw Filter

Part Number: AM207S268



Frequency Response:





ANATECH ELECTRONICS INC
RF & Microwave Filters & Products

207 MHz IF Saw Filter

Part Number: AM207S268



Frequency Response:

