



ANATECH ELECTRONICS INC
RF & Microwave Filters & Products

218.64 MHz IF Saw Filter

Part Number: AM218S400

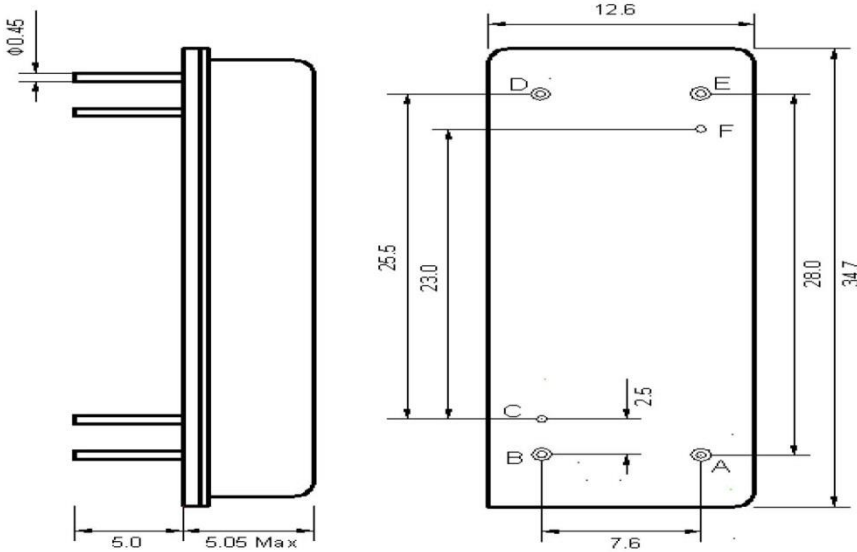


Parameters Description	Unit	Minimum	Typical	Maximum
Center Frequency (Fo)	MHz	-	218.640	-
Insertion Loss at Fo	dB	-	23.2	25.0
Group Delay Variation (smo 0.5%)	nsec	-	180	-
Amplitude Ripple Variation	dBp-p	-	0.75	1.2
Absolute Delay at Fo	µsec	-	3.97	-
Bandwidth at -1.0 dB	MHz	-	1.72	-
Bandwidth at -3.0 dB	MHz	-	1.87	-
Bandwidth at -40.0 dB	MHz	-	2.54	-
Temperature Coefficient	ppm/°C	-	-0.03	-
Ultimate Rejection	dB	50	55	-

Parameters Description	Unit	Minimum	Typical	Maximum
Operation Temperature Range	°C	-30	-	+80
Storage Temperature Range	°C	-40	-	+85
Maximum DC Voltage	V	-	-	10
Maximum Input Power	dBm	-	-	10
Source Impedance (Single Ended) ₁	Ω	-	50	-
Load Impedance (Single Ended) ₁	Ω	-	50	-
Package Size and Type	34.7 x 12.6 x 5.05 mm			F

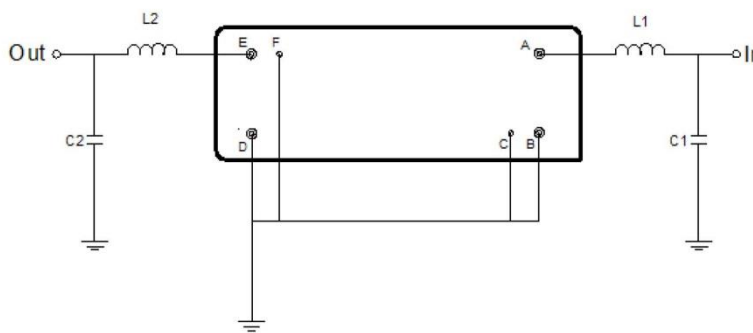


Outline Drawing:



Pin Description	
Ground	B C D F
Input	A
Output	E

Testing Environment:



Test Fixture & Values		
Input	L1=12nH ,	C1=30p F
Output	L2=15nH ,	C2=36p F
Source/Load Impedance	50 Ω	



Frequency Response:

