



ANATECH ELECTRONICS INC
RF & Microwave Filters & Products

221.288 MHz IF Saw Filter

Part Number: AM221S401

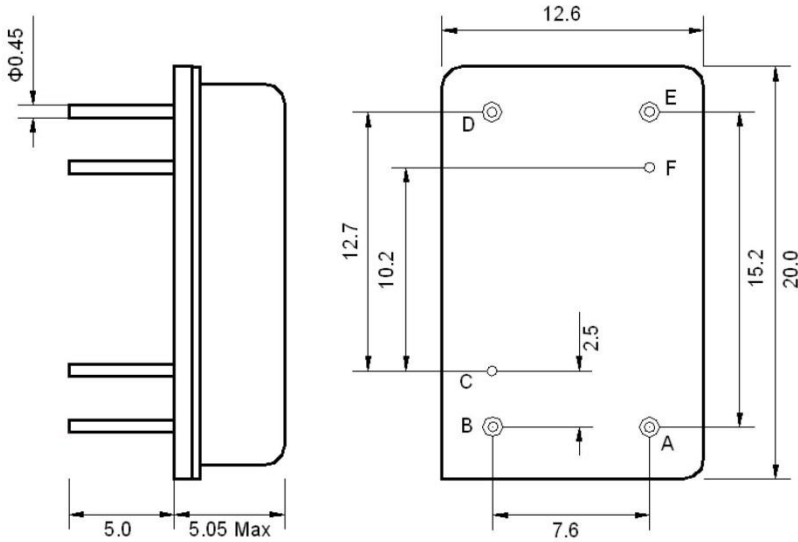


Parameters Description	Unit	Minimum	Typical	Maximum
Center Frequency (Fo)	MHz	-	221.288	-
Insertion Loss at Fo	dB	-	24.5	26.0
Group Delay Variation (smo 0.5%)	nsec	-	120	-
Amplitude Ripple Variation	dBp-p	-	0.70	1.20
Absolute Delay at Fo	µsec	-	2.41	-
Bandwidth at -1.0 dB	MHz	-	6.86	-
Bandwidth at -3.0 dB	MHz	-	7.08	-
Bandwidth at -10.0 dB	MHz	-	7.46	-
Bandwidth at -40.0 dB	MHz	-	8.04	-
Temperature Coefficient	ppm/°C	-	-0.03	-
Ultimate Rejection	dB	45	50	-

Parameters Description	Unit	Minimum	Typical	Maximum
Operation Temperature Range	°C	-30	-	+80
Storage Temperature Range	°C	-40	-	+85
Maximum DC Voltage	V	-	-	10
Maximum Input Power	dBm	-	-	10
Source Impedance (Single Ended) ₁	Ω	-	50	-
Load Impedance (Single Ended) ₁	Ω	-	50	-
Package Size and Type	20.0 x 12.6 x 5.05 mm D			

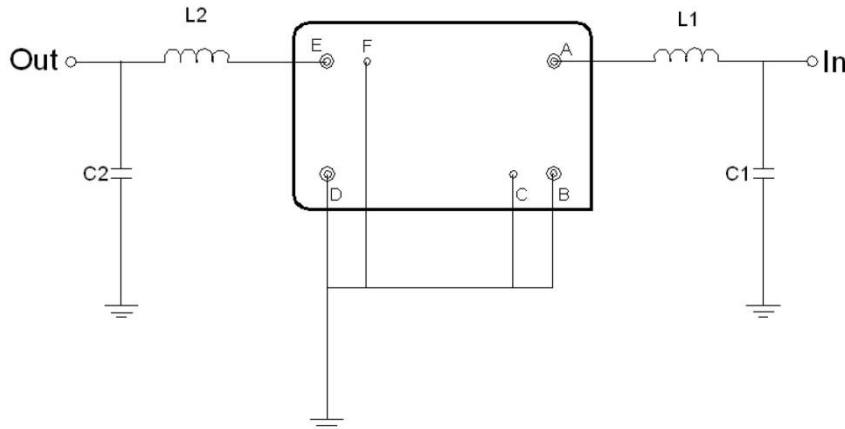


Outline Drawing:



Pin Description	
Ground	B C D F
Input	A
Output	E

Testing Environment:



Test Fixture & Values	
Input	L1=39nH , C1=36pF
Output	L2=39nH , C2=30pF
Source/Load Impedance	50 Ω



Frequency Response:

