



**ANATECH ELECTRONICS INC**  
RF & Microwave Filters & Products

## 2250 MHz Ceramic Bandpass Filter

Part Number: AM2250B1307



### Electrical specifications

**Center Frequency:** 2250 MHz  
**Bandwidth:** 100 MHz  
**VSWR:** 1.5 : 1 max  
**Input / Output Impedance:** 50 Ohms  
**Passband:** 2200-2300 MHz  
**Passband Insertion Loss:** 2.0 dB max  
**Passband Ripple:** 1.0 dB max  
**Rejection:** 15 dB min at 2100 MHz  
**Power Handling:** 5.0 watt

### Mechanical

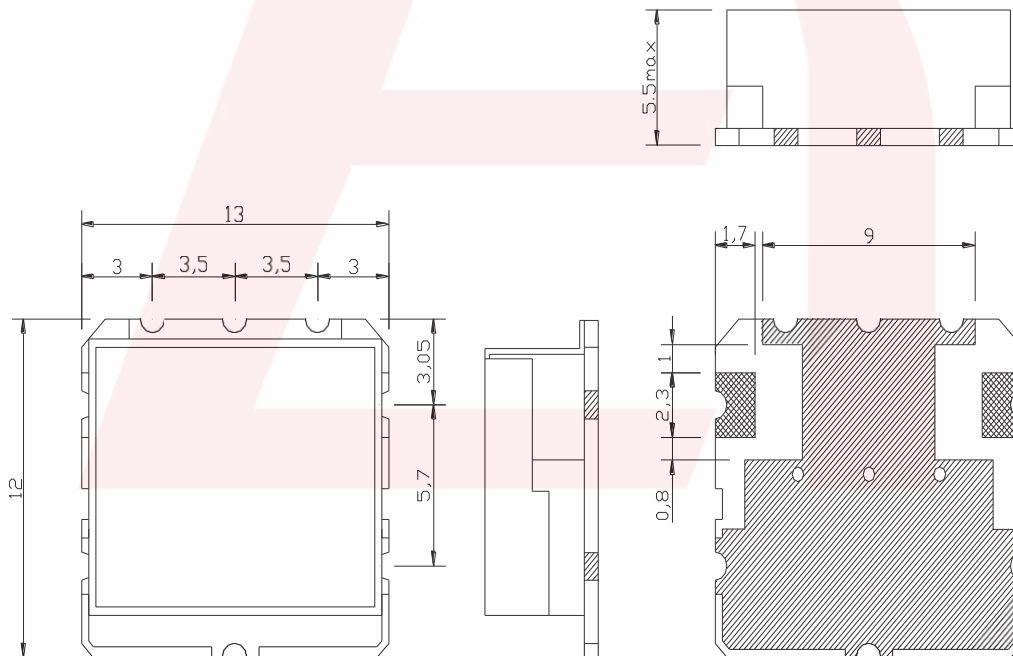
**Mounting Method:** SMT  
**Dimensions:** 13 x 12 x 5.5 mm

### Environmental

**Operating Temperature:** -40 C to +85 C  
**Storage Temperature:** -50 C to +90 C  
**Shock:** 10 G. 11ms  
**Vibration:** 10 G. 5 to 200 Hz

This product is RoHs compliant.

### Outline Drawing:



UNIT:mm

TOLERANCE:±0.3

DS-B1307-04012015-Rev0



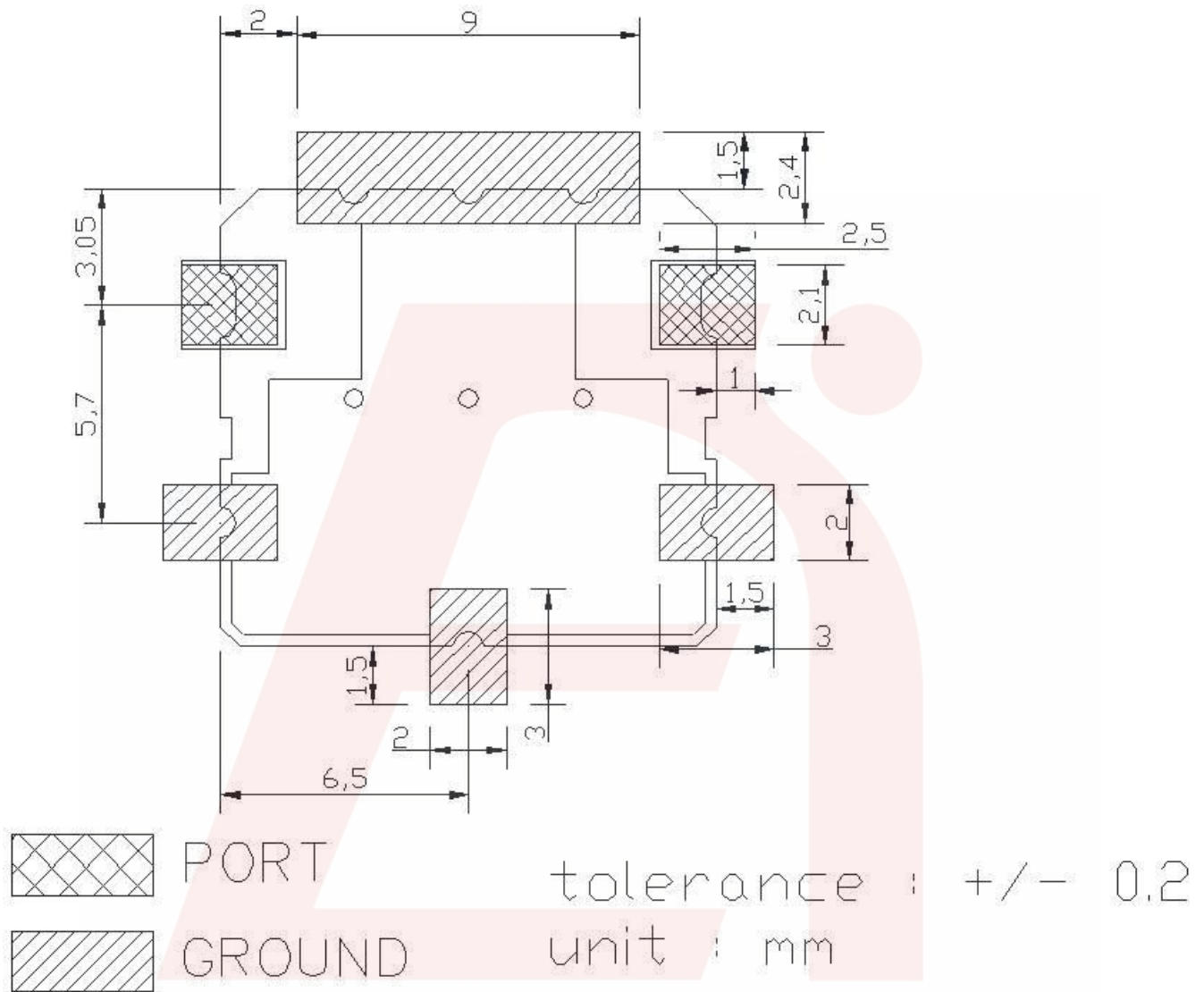
**ANATECH ELECTRONICS INC**  
RF & Microwave Filters & Products

# 2250 MHz Ceramic Bandpass Filter

Part Number: AM2250B1307



## PCB Layout:



DS-B1307-04012015-Rev0



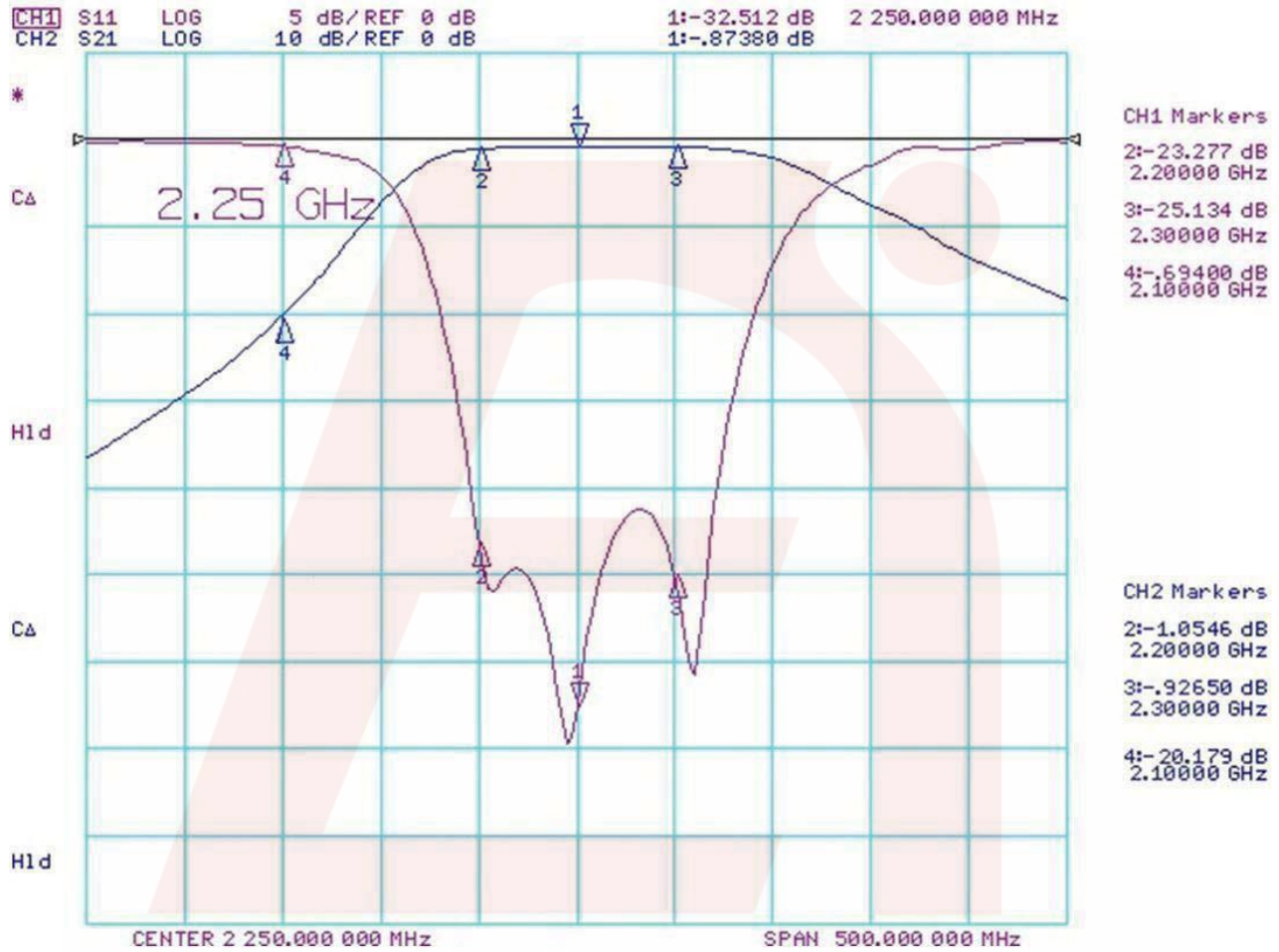
**ANATECH ELECTRONICS INC**  
RF & Microwave Filters & Products

# 2250 MHz Ceramic Bandpass Filter

Part Number: AM2250B1307



## Response Plot:



DS-B1307-04012015-Rev0