



ANATECH ELECTRONICS INC
RF & Microwave Filters & Products

2300 MHz Ceramic Bandpass Filter

Part Number: AM2300B1267



Electrical specifications

Center Frequency: 2300 MHz
Bandwidth: 130 MHz
Input / Output Impedance: 50 Ohms
Passband: 2235-2365 MHz
Passband Insertion Loss: 3.0 dB max
Passband Ripple: 0.8 dB max
Passband Return Loss: 15dB min
Rejection: 50 dB min @ 1700 MHz
Rejection 2: 40 dB min @ 2900 MHz
Power Handling: 1 watt

Mechanical

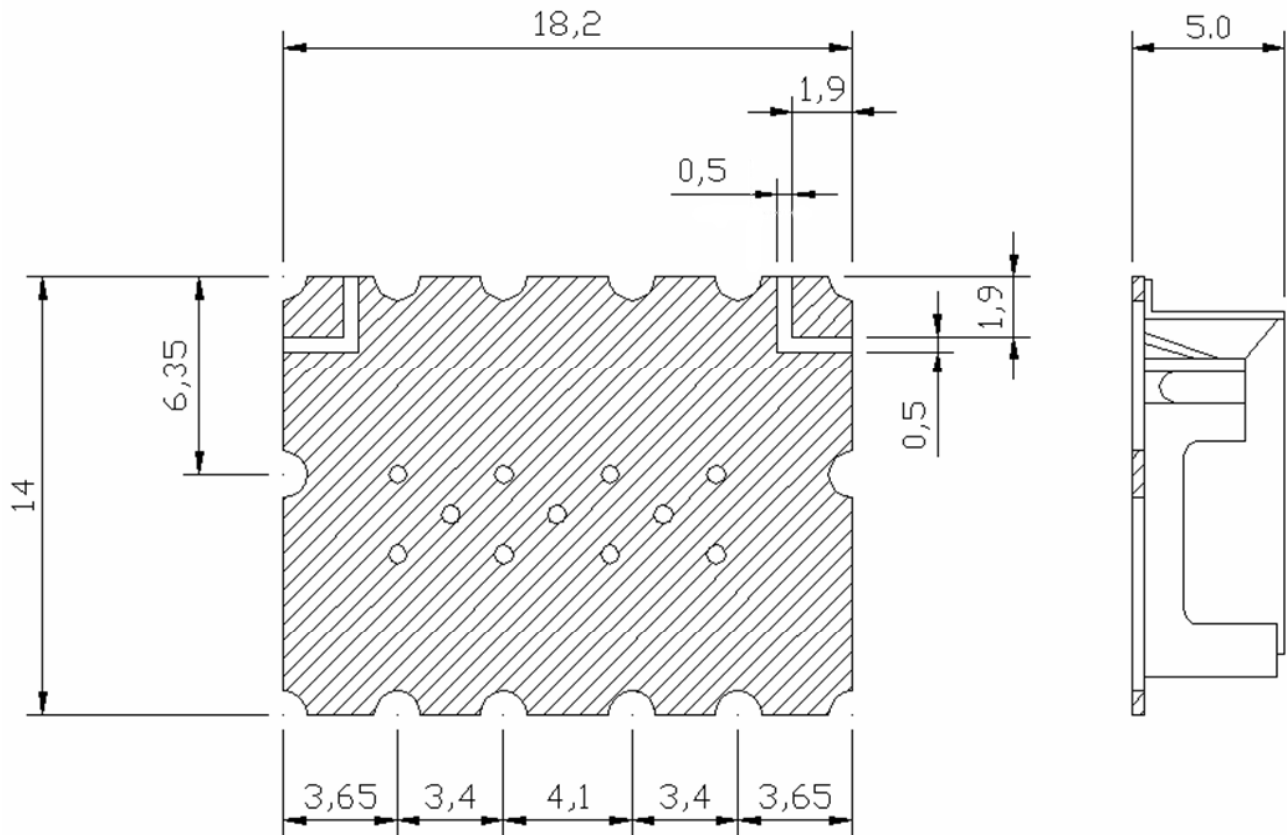
Mounting Method: SMT
Dimensions: 18.2 x 14 x 5 mm

Environmental

Operating Temperature: -40°C to +85°C
Storage Temperature: -50°C to +90°C

This product is RoHs compliant.

Outline Drawing:



Unit : mm

Tolerance : ± 0.3