



ANATECH ELECTRONICS INC
RF & Microwave Filters & Products

237.5 MHz IF Saw Filter

Part Number: AM237S404

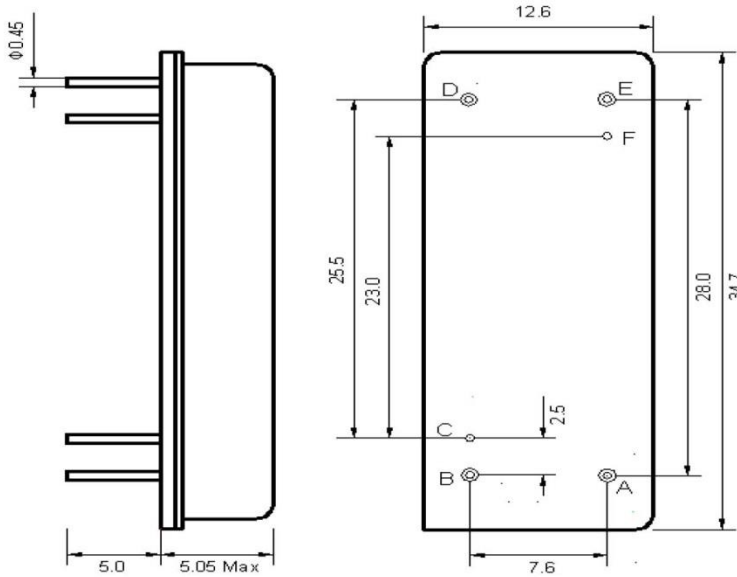


Parameters Description	Unit	Minimum	Typical	Maximum
Center Frequency (Fo)	MHz	237.42	237.50	237.58
Insertion Loss at Fo	dB	-	29.0	30.5
Group Delay Variation (Fo ± 2.575 MHz)	nsec	-	220	300
Amplitude Ripple Variation (Fo ± 2.575 MHz)	dBp-p	-	1.5	-
Absolute Delay at Fo	µsec	-	3.40	-
Temperature Coefficient	ppm/°C	-	-0.03	-
Bandwidth at -1.0 dB	MHz	5.10	5.17	-
Bandwidth at -1.5 dB	MHz	-	5.22	-
Bandwidth at -3.0 dB	MHz	-	5.31	-
Bandwidth at -35.0 dB	MHz	-	5.81	5.90
Bandwidth at -40.0 dB	MHz	-	5.84	-
Ultimate Rejection	dB	45	48	-

Parameters Description	Unit	Minimum	Typical	Maximum
Operation Temperature Range	°C	-20	-	+70
Storage Temperature Range	°C	-25	-	+70
Maximum DC Voltage	V	-	-	10
Maximum Input Power	dBm	-	-	10
Source Impedance (Single Ended) ₁	Ω	-	50	-
Load Impedance (Single Ended) ₁	Ω	-	50	-
Package Size and Type	34.7 x 12.6 x 5.05 mm F			

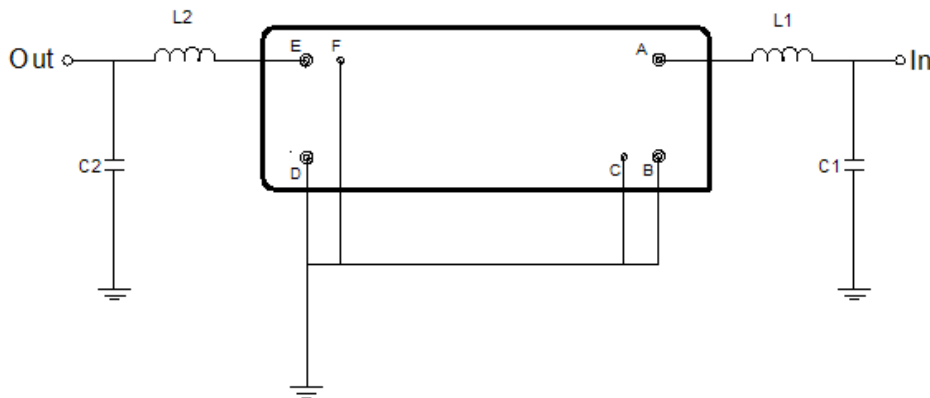


Outline Drawing:



Pin Description	
Ground	B C D F
Input	A
Output	E

Testing Environment:



Test Fixture & Values		
Input	pF=HL13	C=312n
Output	pF=HL23	C=6122n
Source/Load Impedance	50 Ω	



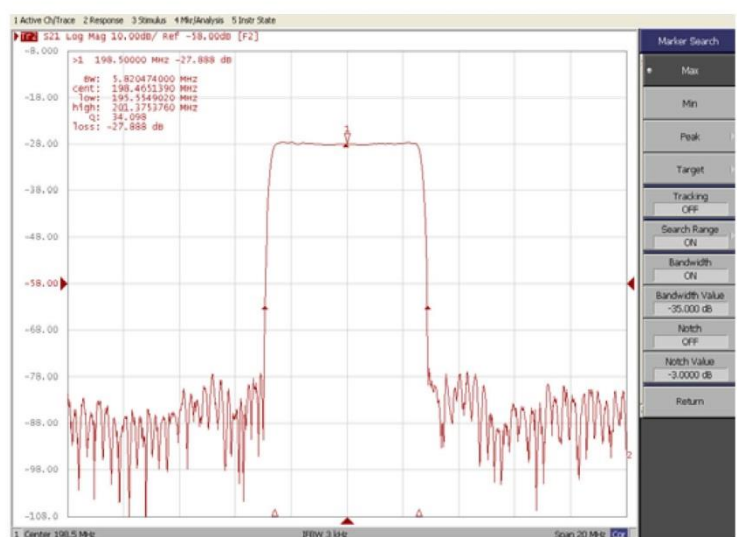
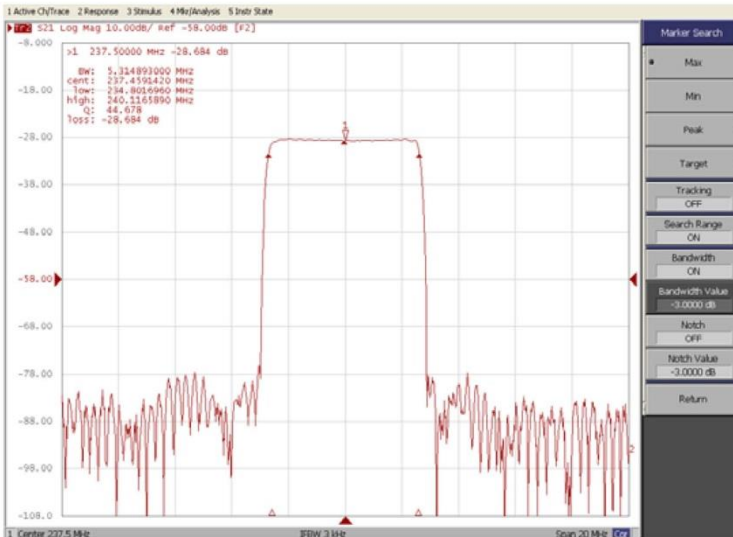
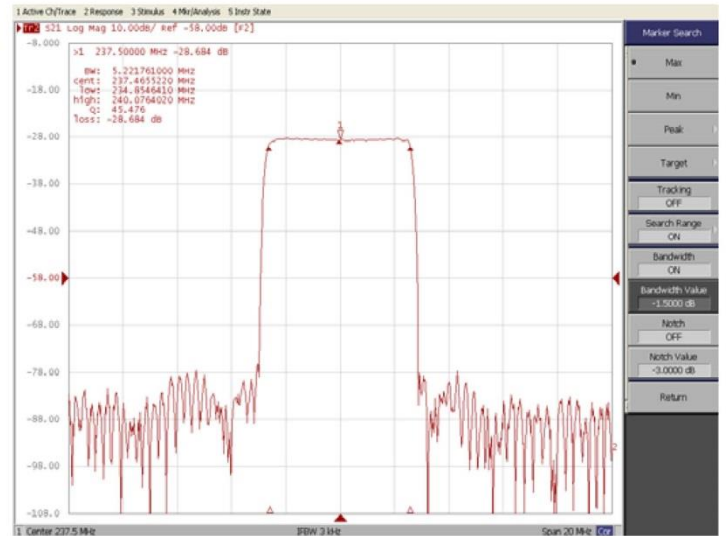
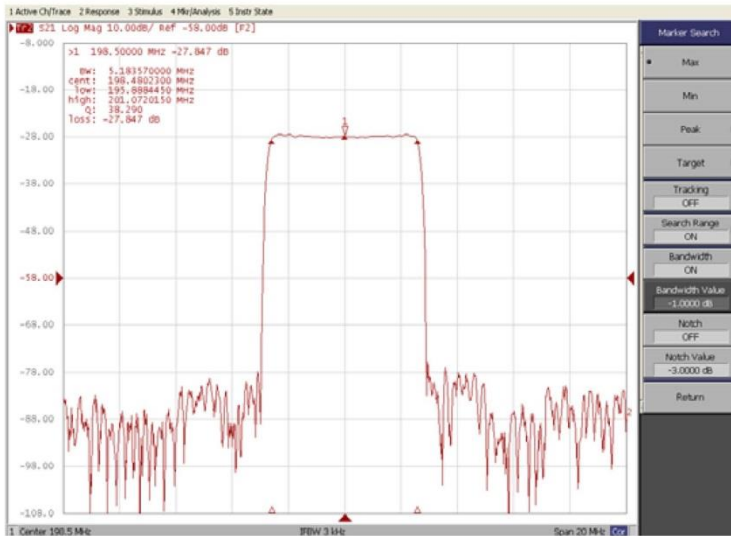
ANATECH ELECTRONICS INC
RF & Microwave Filters & Products

237.5 MHz IF Saw Filter

Part Number: AM237S404



Frequency Response:





Frequency Response:

